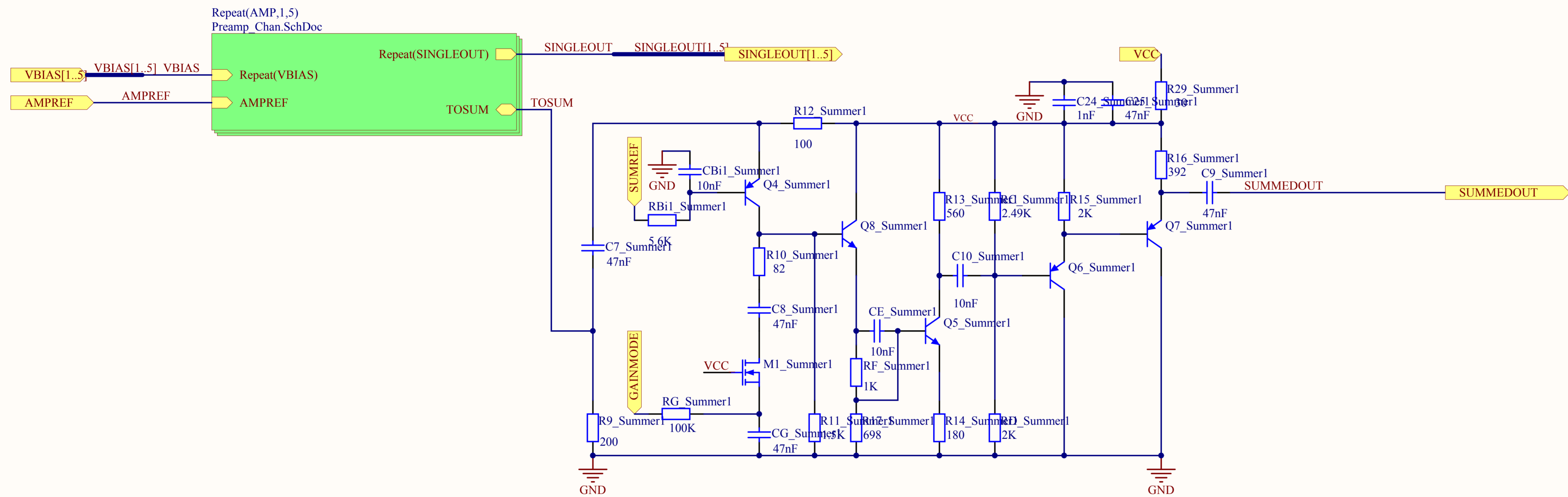

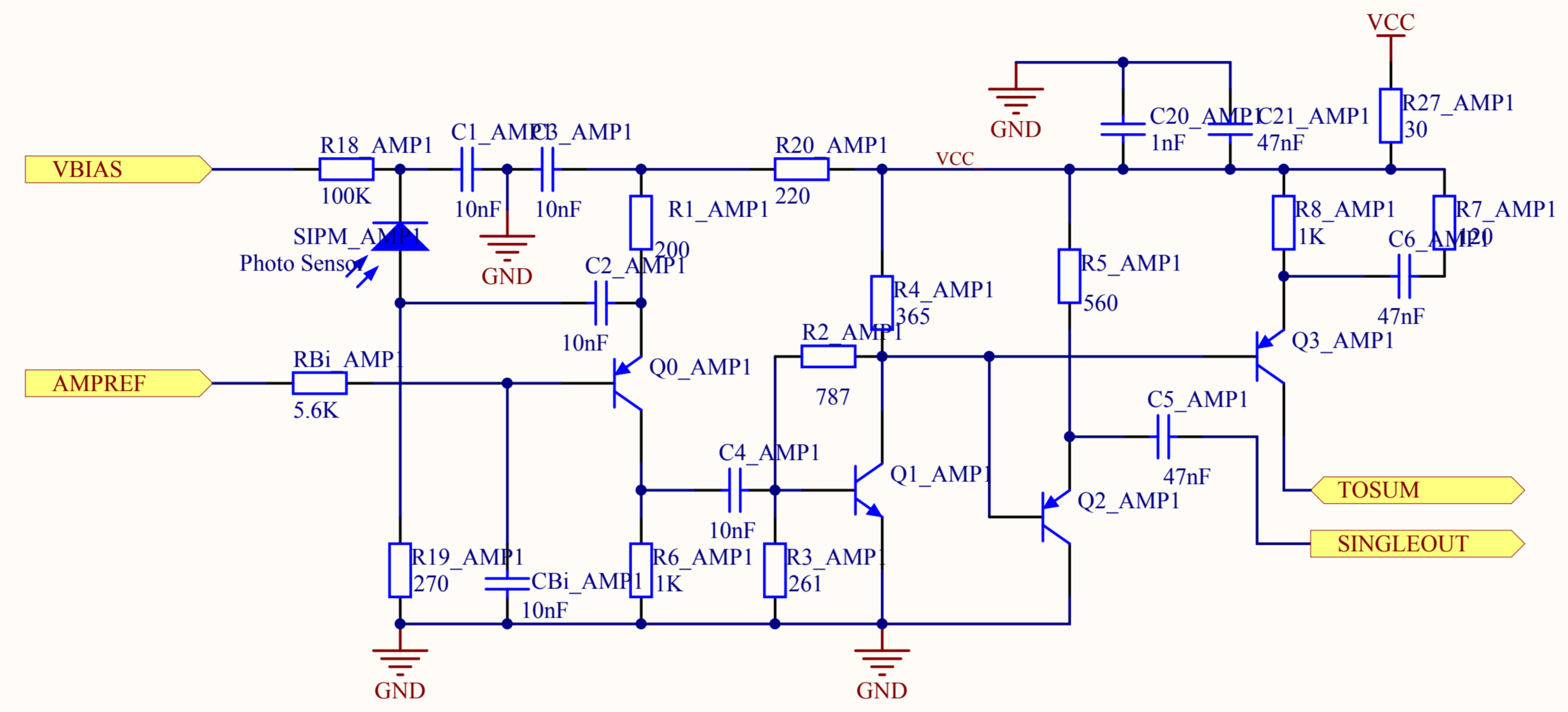


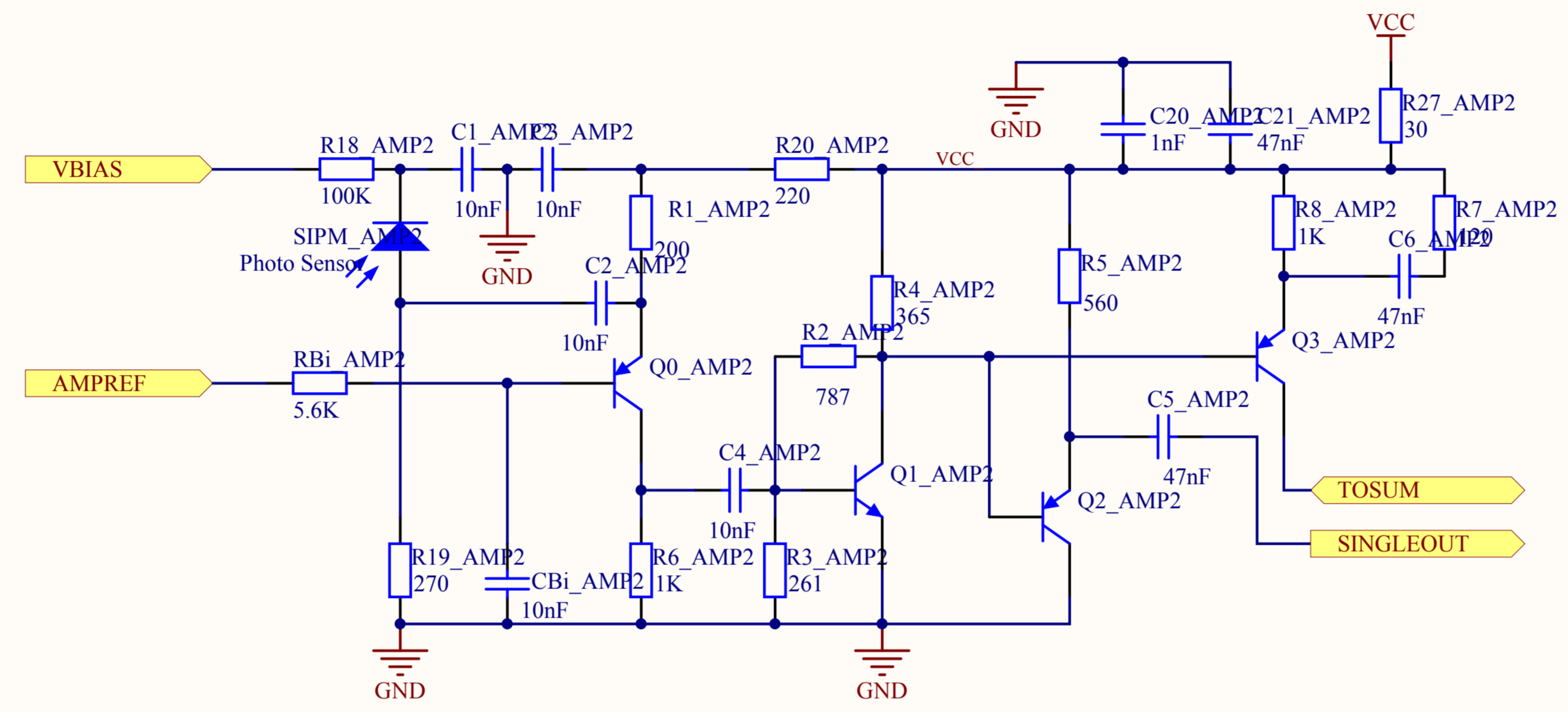
Title		
Size	Number	Revision
A		
Date:	2/20/2012	Sheet of
File:	C:\Documents and Settings\...\Preamp_Main.SchDoc	By:



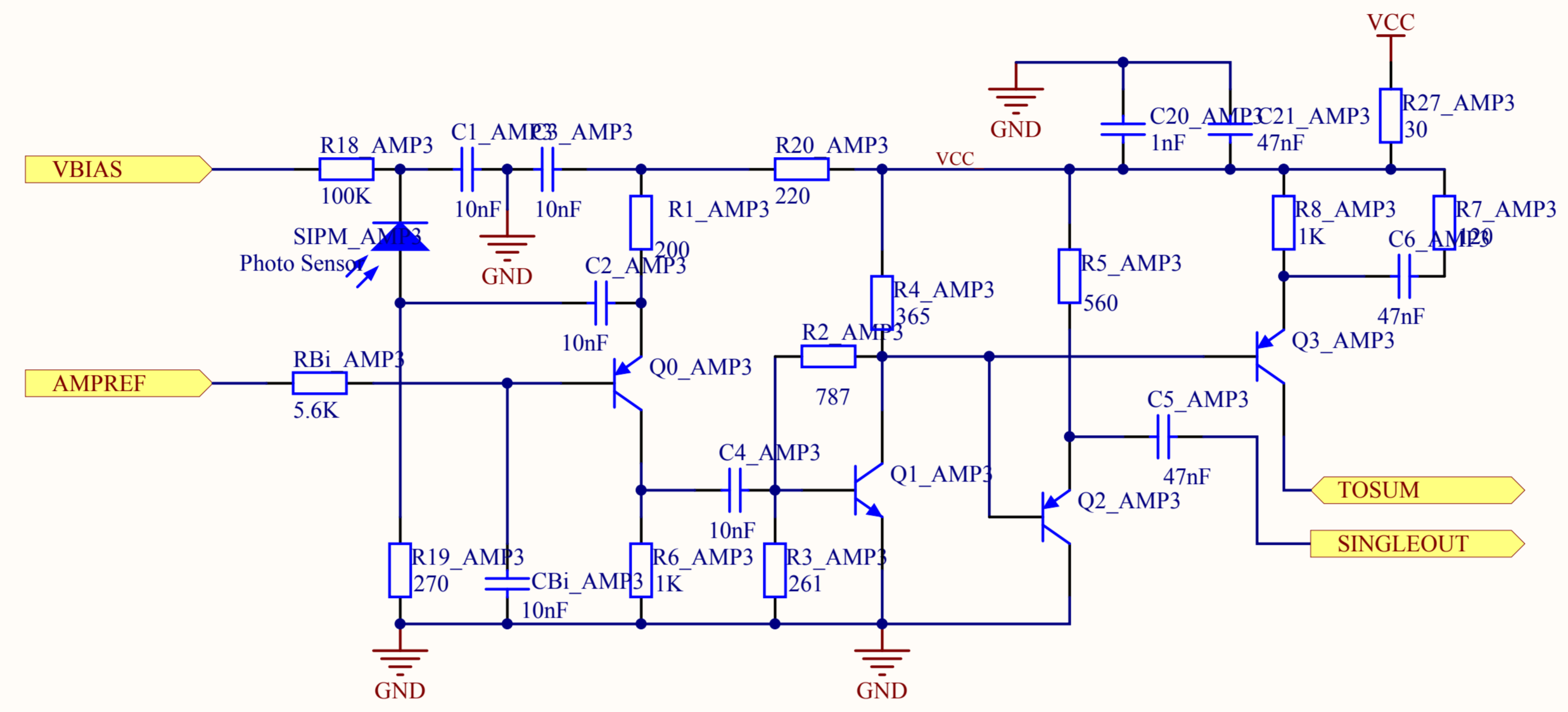
CONFIDENTIAL INFORMATION				
The information in this document shall not be disclosed, copied nor disseminated unless authorized by the authors.				
Drawn	Date:	Title		
	2/20/2012			
Checked	Date:			
Approved		Size: B	Drawing Number:	Revision:
Engineer		File:	Sheet of	
F.J. Barbosa		C:\Documents and Settings\bpratt\My Documents\UCorfn\Dr. Jones\Altium\Ba		



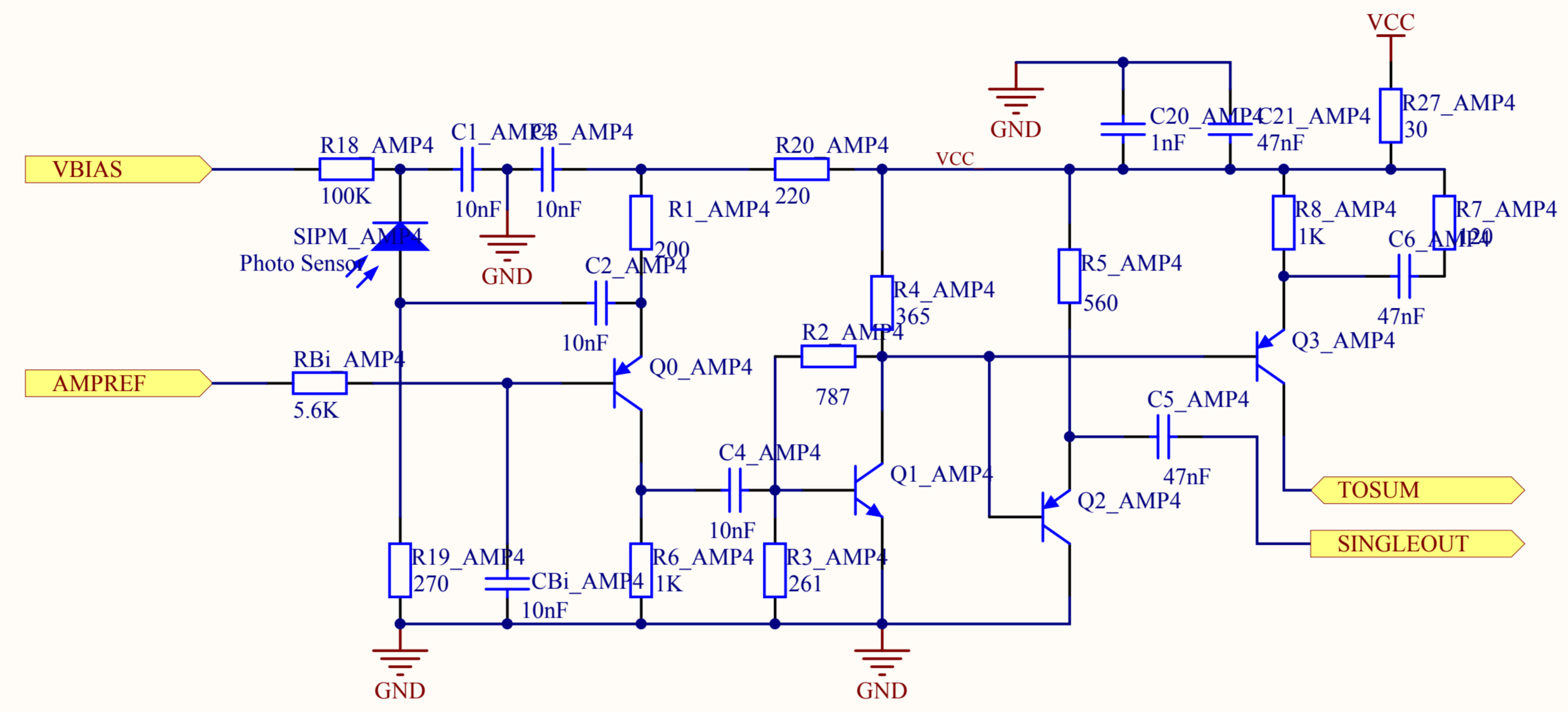
CONFIDENTIAL INFORMATION The information in this document shall not be disclosed, copied nor disseminated unless authorized by the authors.				
Drawn	Date: 2/20/2012	Title		
Checked	Date:			
Approved		Size: B	Drawing Number:	Revision:
Engineer F.J. Barbosa		File: C:\Documents and Settings\bpratt\My Documents\UCofm\Dr. Jones\Altium\Ba	Sheet	of



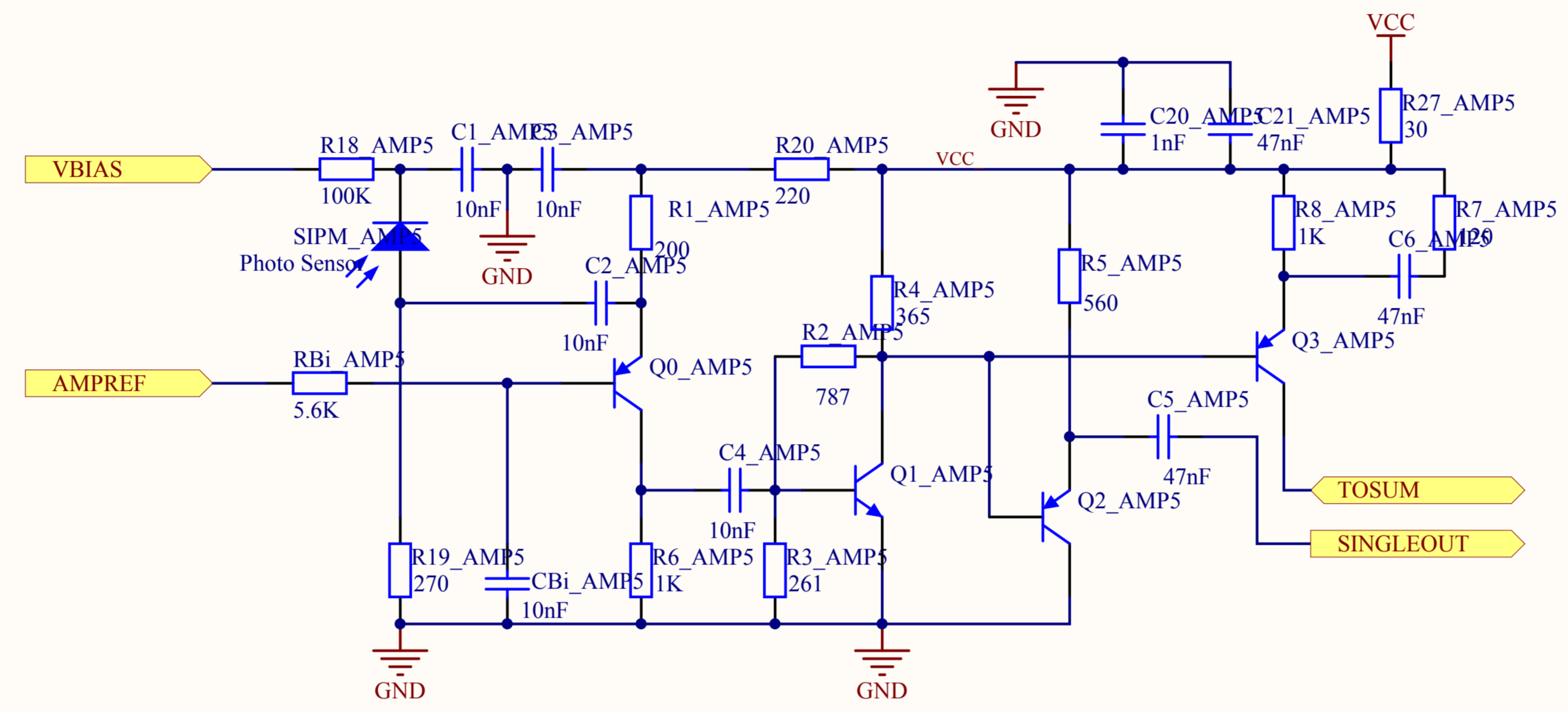
CONFIDENTIAL INFORMATION The information in this document shall not be disclosed, copied nor disseminated unless authorized by the authors.				
Drawn	Date: 2/20/2012	Title		
Checked	Date:			
Approved		Size: B	Drawing Number:	Revision:
Engineer F.J. Barbosa		File: C:\Documents and Settings\bpratt\My Documents\UCofm\Dr. Jones\Altium\Ba	Sheet	of



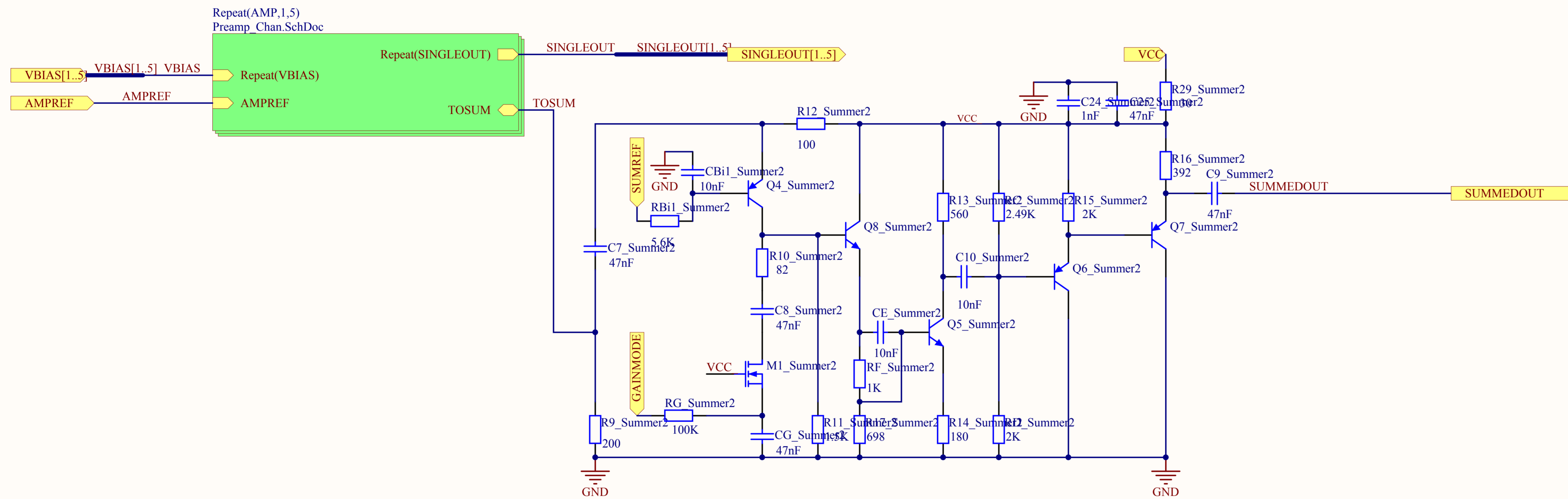
CONFIDENTIAL INFORMATION The information in this document shall not be disclosed, copied nor disseminated unless authorized by the authors.				
Drawn	Date: 2/20/2012	Title		
Checked	Date:			
Approved		Size: B	Drawing Number:	Revision:
Engineer F.J. Barbosa		File: C:\Documents and Settings\bpratt\My Documents\UCofm\Dr. Jones\Altium\Ba		Sheet of



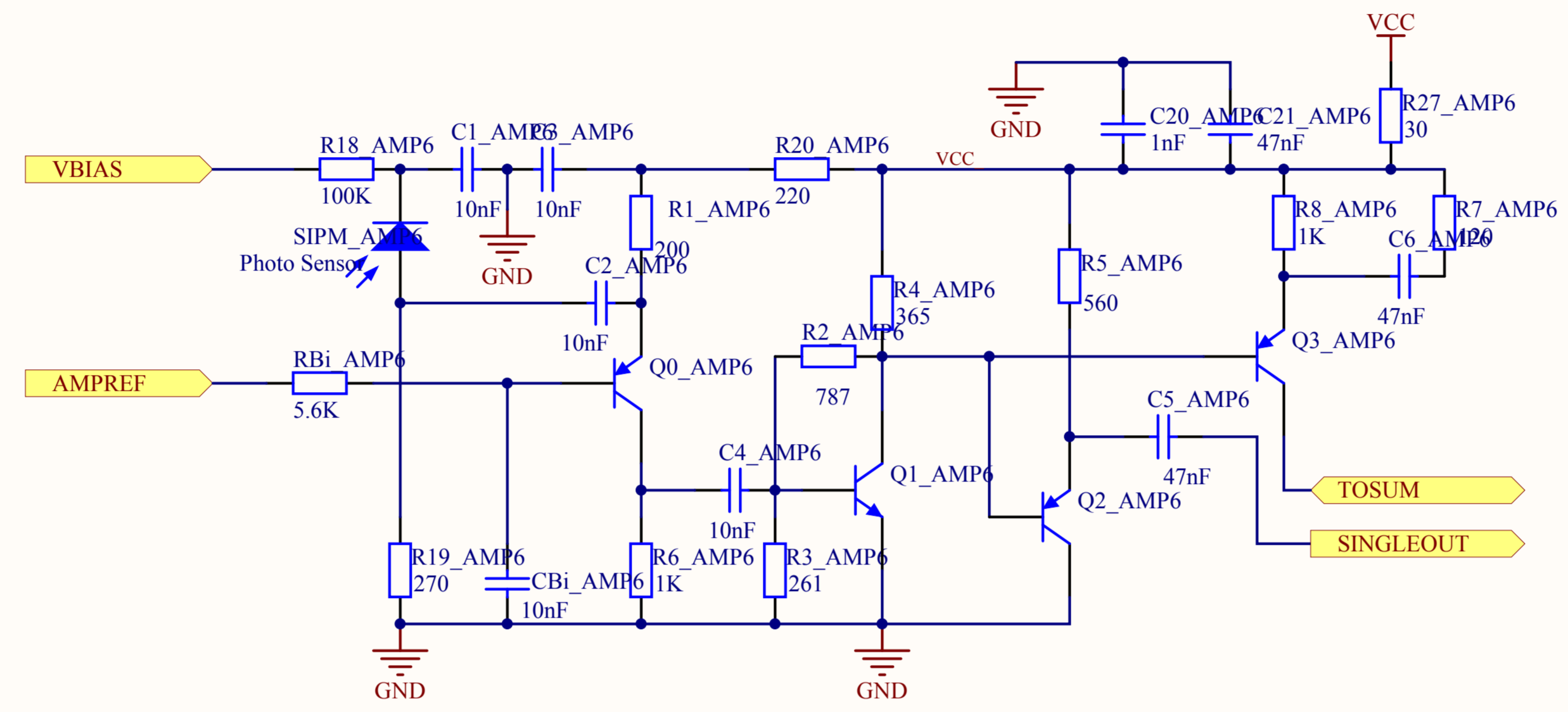
CONFIDENTIAL INFORMATION The information in this document shall not be disclosed, copied nor disseminated unless authorized by the authors.				
Drawn	Date: 2/20/2012	Title		
Checked	Date:			
Approved		Size: B	Drawing Number:	Revision:
Engineer F.J. Barbosa		File: C:\Documents and Settings\bpratt\My Documents\UCofm\Dr. Jones\Altium\Ba	Sheet	of



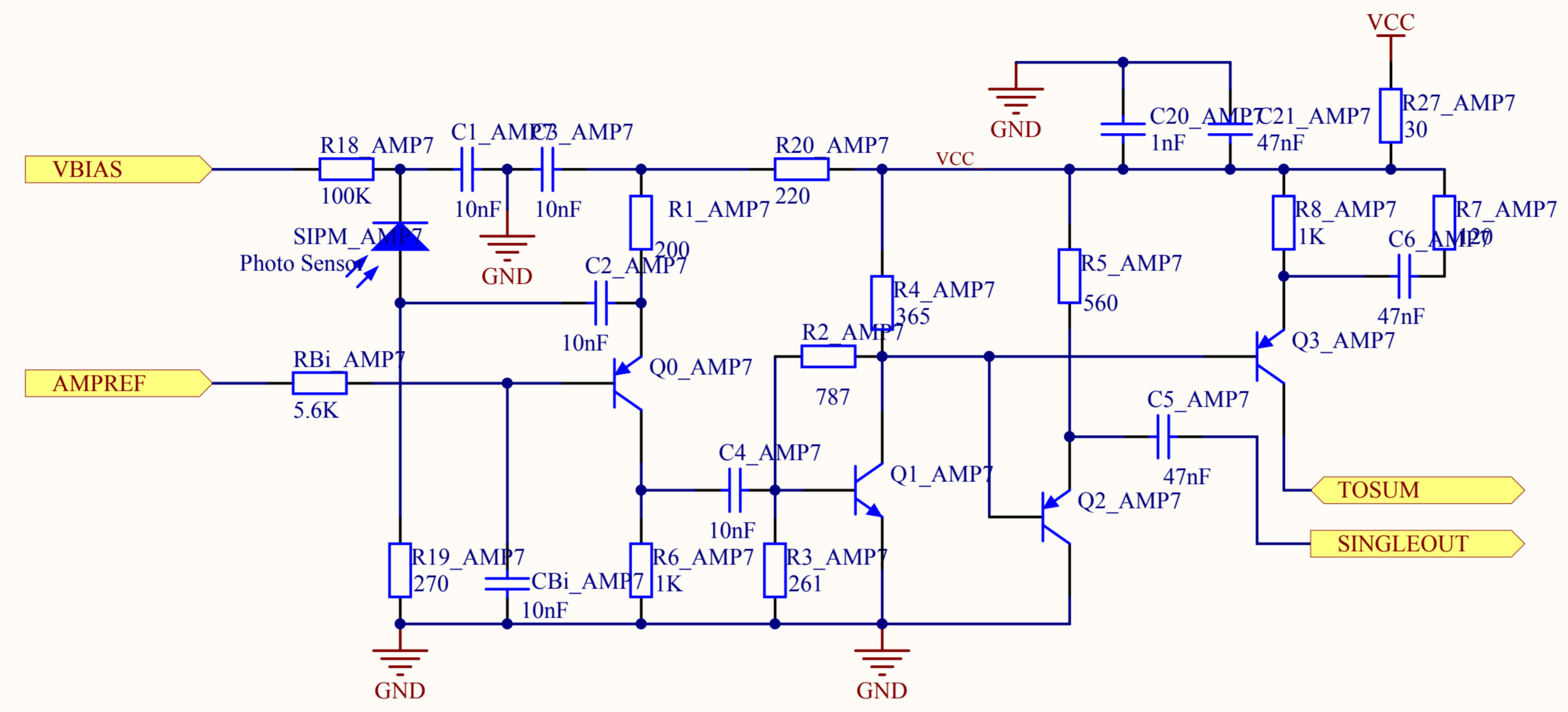
CONFIDENTIAL INFORMATION The information in this document shall not be disclosed, copied nor disseminated unless authorized by the authors.				
Drawn	Date: 2/20/2012	Title		
Checked	Date:			
Approved		Size: B	Drawing Number:	Revision:
Engineer F.J. Barbosa		File: C:\Documents and Settings\bpratt\My Documents\UCorfn\Dr. Jones\Altium\Ba	Sheet	of



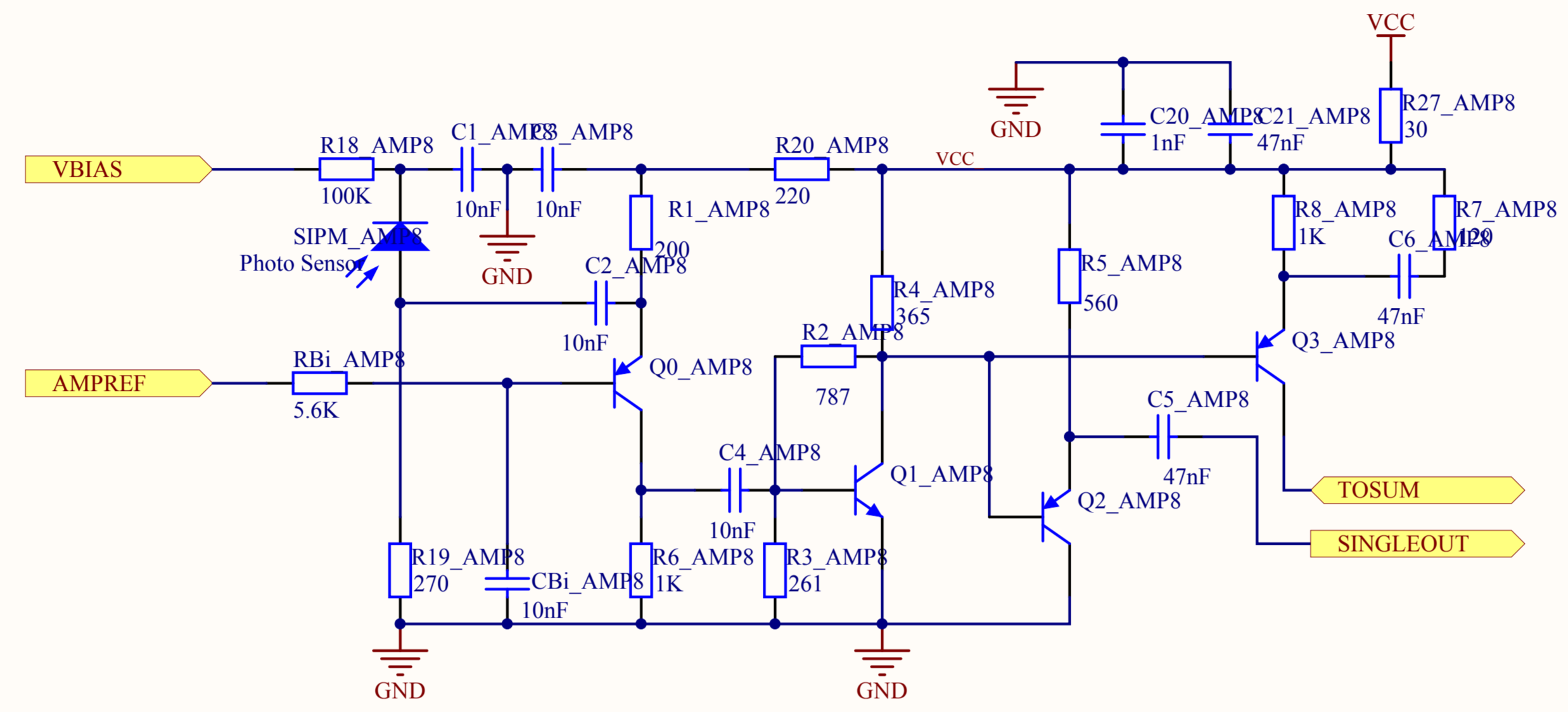
CONFIDENTIAL INFORMATION The information in this document shall not be disclosed, copied nor disseminated unless authorized by the authors.				
Drawn	Date: 2/20/2012	Title		
Checked	Date:			
Approved		Size: B	Drawing Number:	Revision:
Engineer F.J. Barbosa		File: C:\Documents and Settings\bpratt\My Documents\UCorfn\Dr. Jones\Altium\Ba	Sheet	of




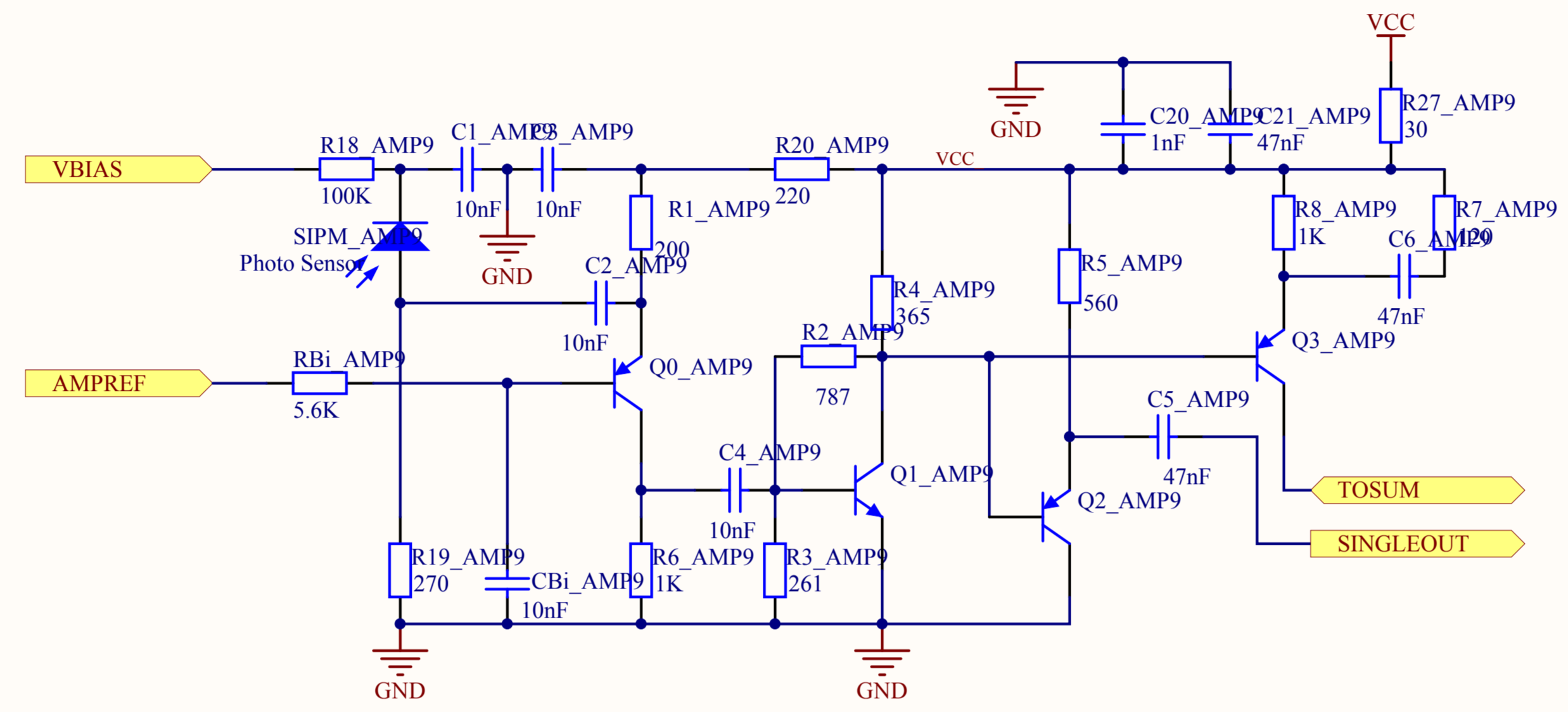
CONFIDENTIAL INFORMATION The information in this document shall not be disclosed, copied nor disseminated unless authorized by the authors.				
Drawn	Date: 2/20/2012	Title		
Checked	Date:			
Approved		Size: B	Drawing Number:	Revision:
Engineer F.J. Barbosa		File: C:\Documents and Settings\bpratt\My Documents\UCorfn\Dr. Jones\Altium\Ba	Sheet	of



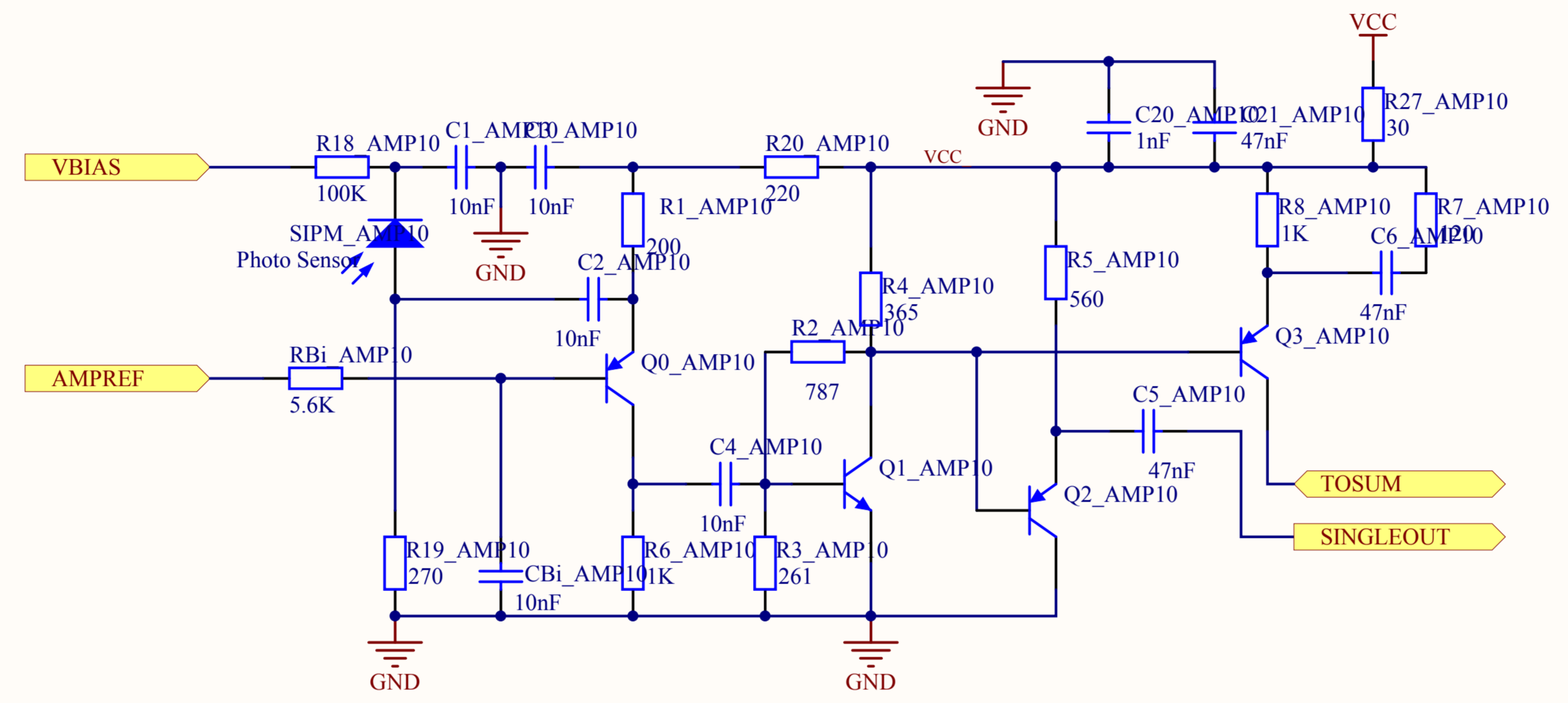
CONFIDENTIAL INFORMATION The information in this document shall not be disclosed, copied nor disseminated unless authorized by the authors.				
Drawn	Date: 2/20/2012	Title		
Checked	Date:			
Approved		Size: B	Drawing Number:	Revision:
Engineer F.J. Barbosa		File: C:\Documents and Settings\bpratt\My Documents\UCofm\Dr. Jones\Altium\Ba	Sheet	of



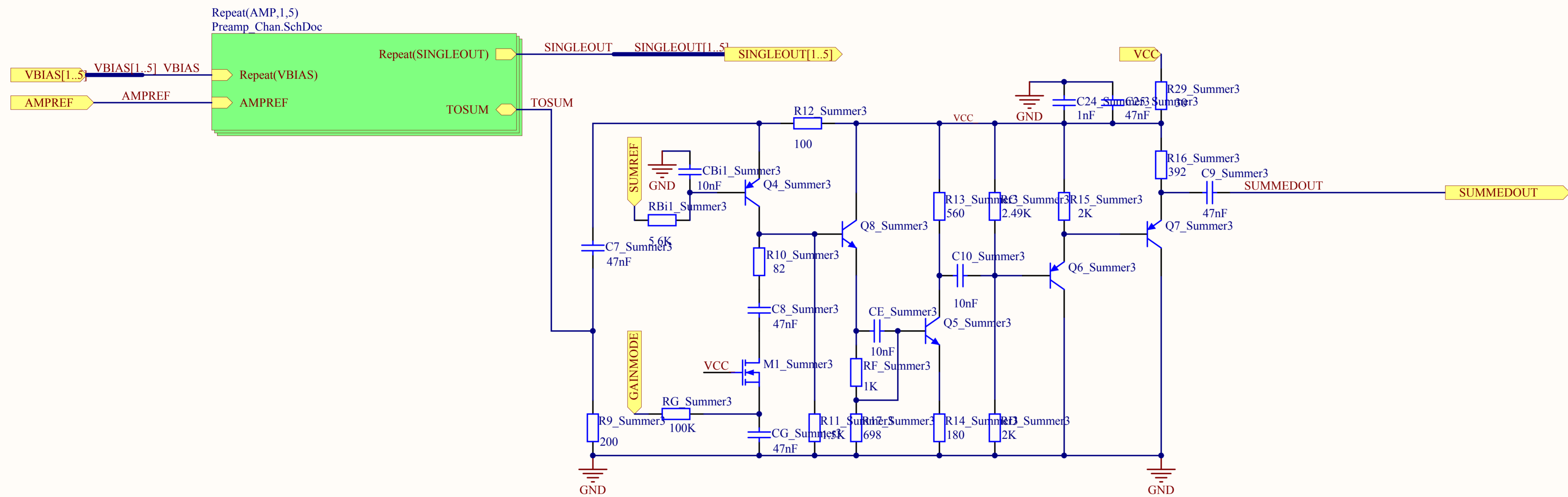
CONFIDENTIAL INFORMATION				
The information in this document shall not be disclosed, copied nor disseminated unless authorized by the authors.				
Drawn	Date: 2/20/2012	Title		
Checked	Date:			
Approved		Size: B	Drawing Number:	Revision:
Engineer F.J. Barbosa		File: C:\Documents and Settings\bpratt\My Documents\UCorfn\Dr. Jones\Altium\Ba	Sheet	of




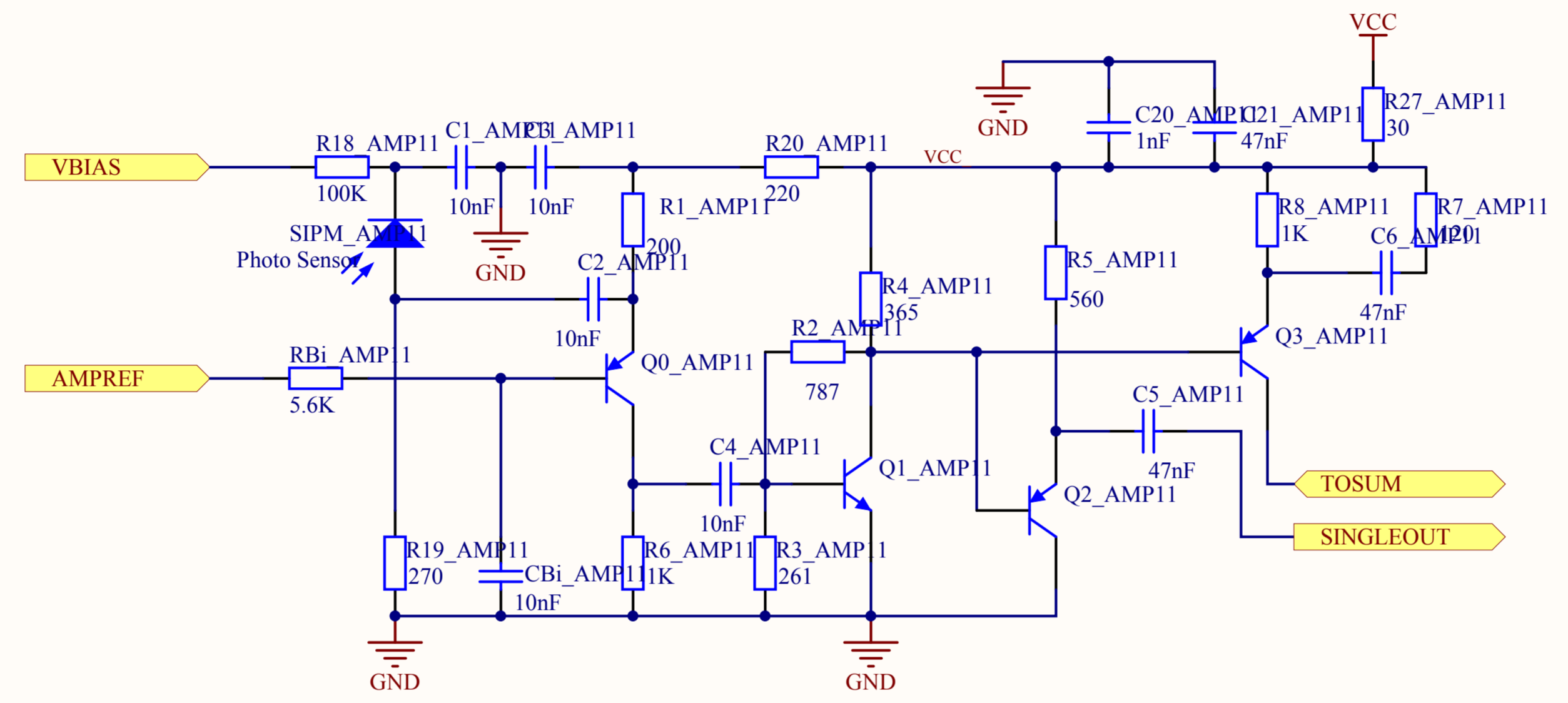
CONFIDENTIAL INFORMATION The information in this document shall not be disclosed, copied nor disseminated unless authorized by the authors.				
Drawn	Date: 2/20/2012	Title		
Checked	Date:			
Approved		Size: B	Drawing Number:	Revision:
Engineer F.J. Barbosa		File: C:\Documents and Settings\bpratt\My Documents\UCofm\Dr. Jones\Altium\Ba	Sheet	of



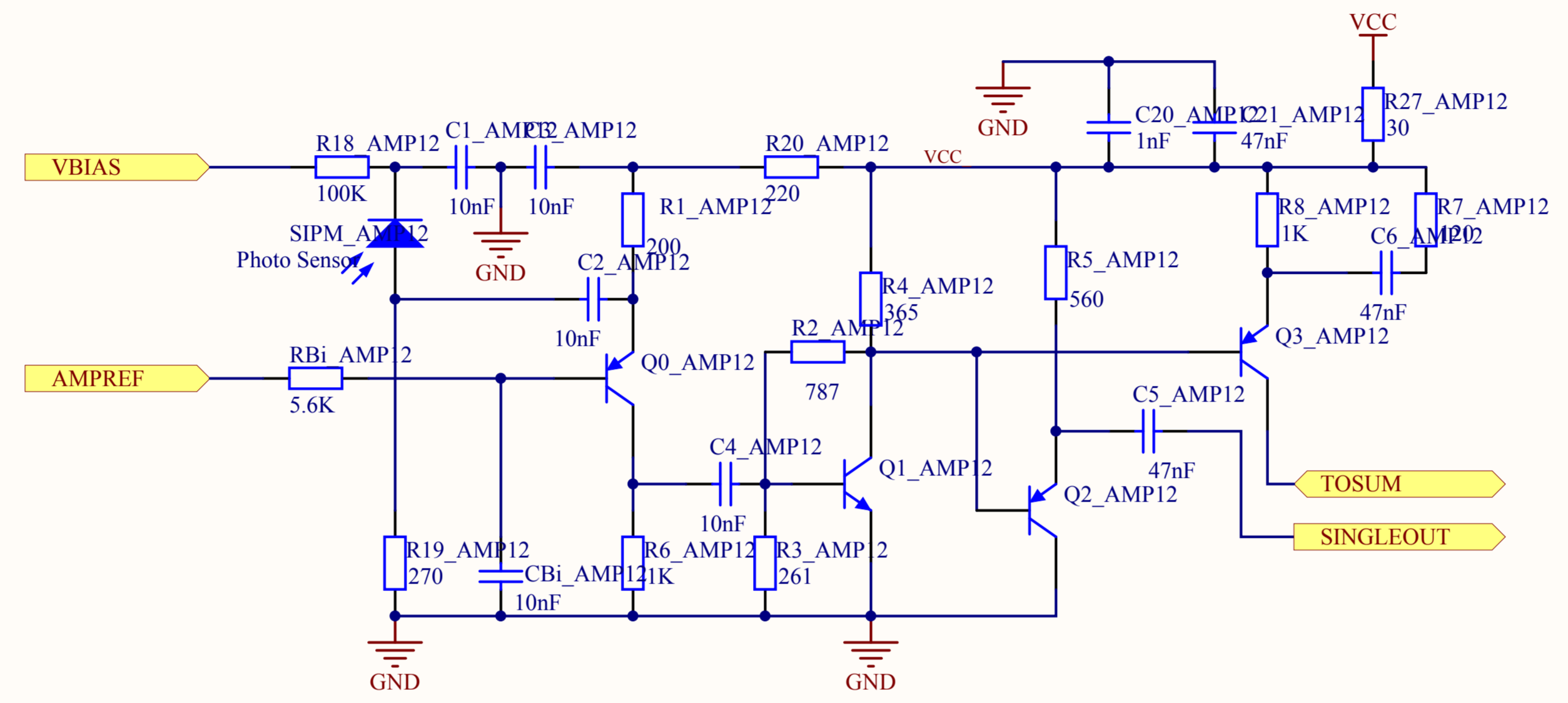
CONFIDENTIAL INFORMATION The information in this document shall not be disclosed, copied nor disseminated unless authorized by the authors.				
Drawn	Date: 2/20/2012	Title		
Checked	Date:			
Approved		Size: B	Drawing Number:	Revision:
Engineer F.J. Barbosa		File: C:\Documents and Settings\bpratt\My Documents\UCofm\Dr. Jones\Altium\Ba	Sheet	of




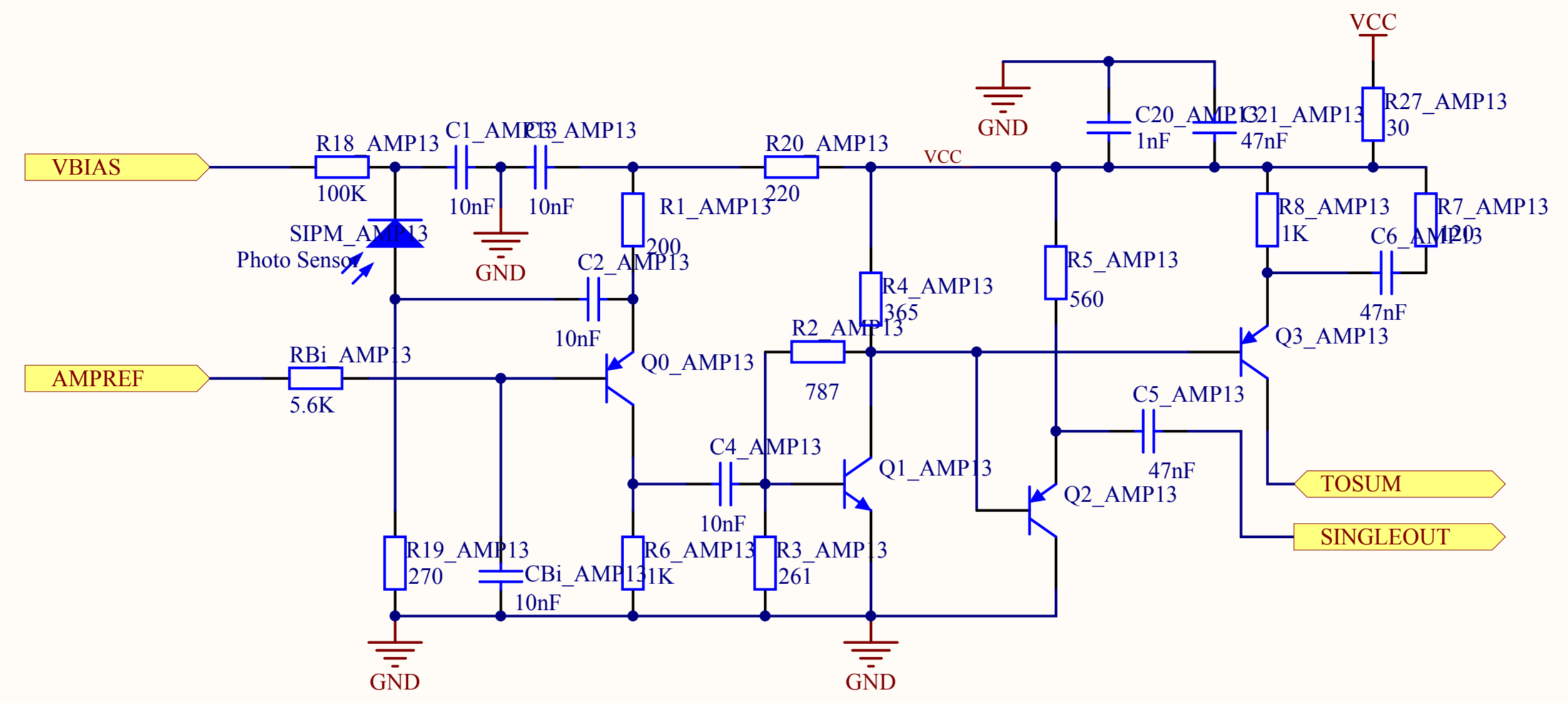
CONFIDENTIAL INFORMATION				
The information in this document shall not be disclosed, copied nor disseminated unless authorized by the authors.				
Drawn	Date: 2/20/2012	Title		
Checked	Date:			
Approved		Size: B	Drawing Number:	Revision:
Engineer F.J. Barbosa		File: C:\Documents and Settings\bpratt\My Documents\UCorfn\Dr. Jones\Altium\Ba	Sheet	of




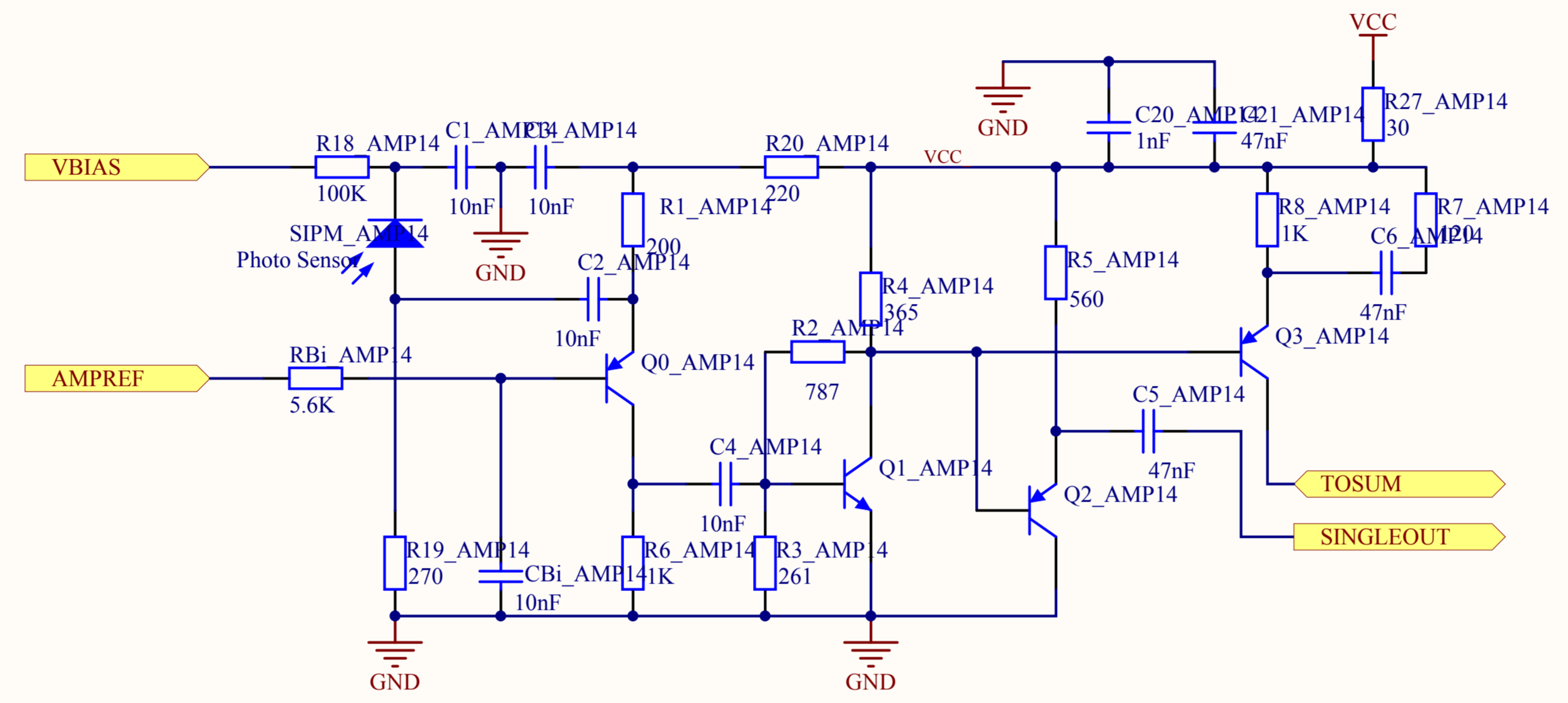
CONFIDENTIAL INFORMATION The information in this document shall not be disclosed, copied nor disseminated unless authorized by the authors.				
Drawn	Date: 2/20/2012	Title		
Checked	Date:			
Approved		Size: B	Drawing Number:	Revision:
Engineer F.J. Barbosa		File: C:\Documents and Settings\bpratt\My Documents\UCofm\Dr. Jones\Altium\Ba	Sheet of	



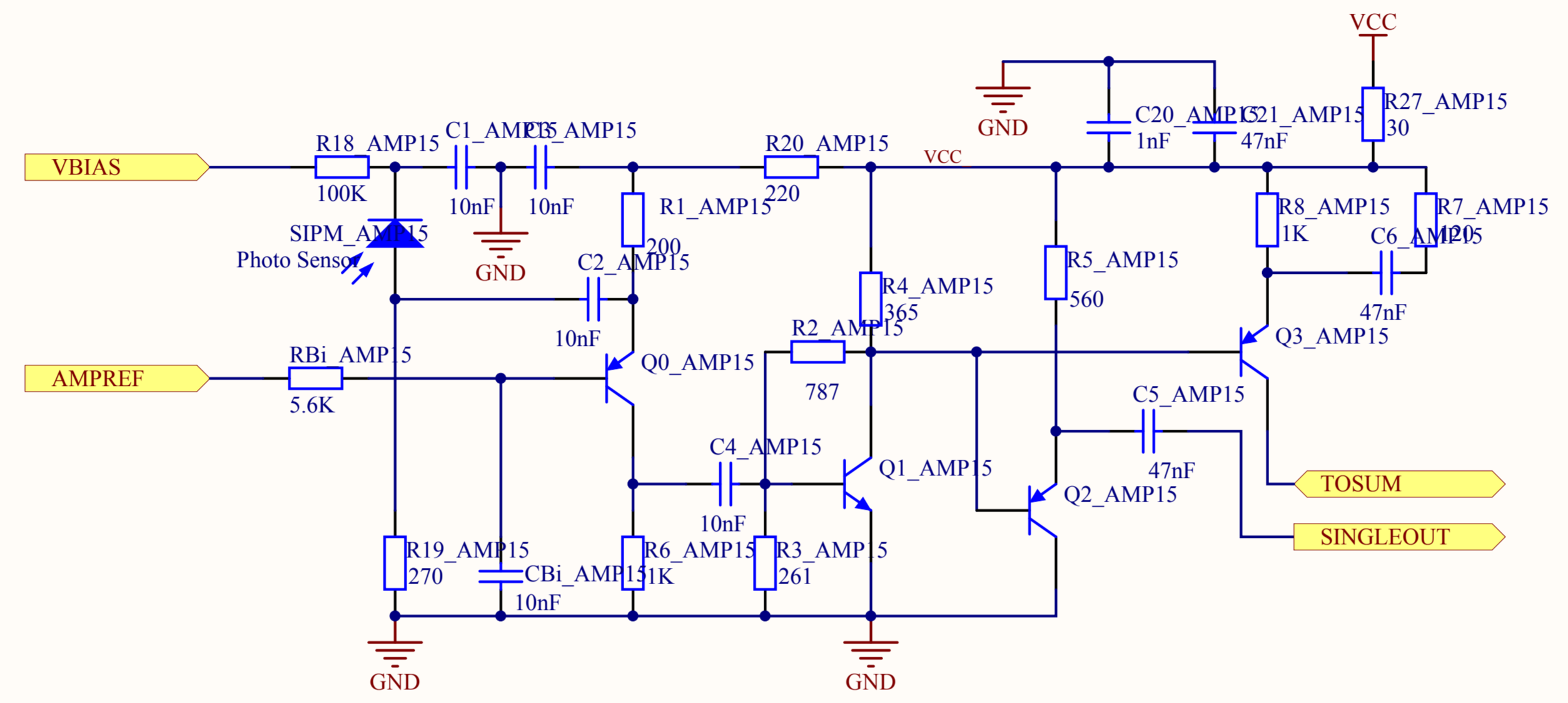
CONFIDENTIAL INFORMATION				
The information in this document shall not be disclosed, copied nor disseminated unless authorized by the authors.				
Drawn	Date: 2/20/2012	Title		
Checked	Date:			
Approved		Size: B	Drawing Number:	Revision:
Engineer F.J. Barbosa		File: C:\Documents and Settings\bpratt\My Documents\UCorfn\Dr. Jones\Altium\Ba	Sheet	of



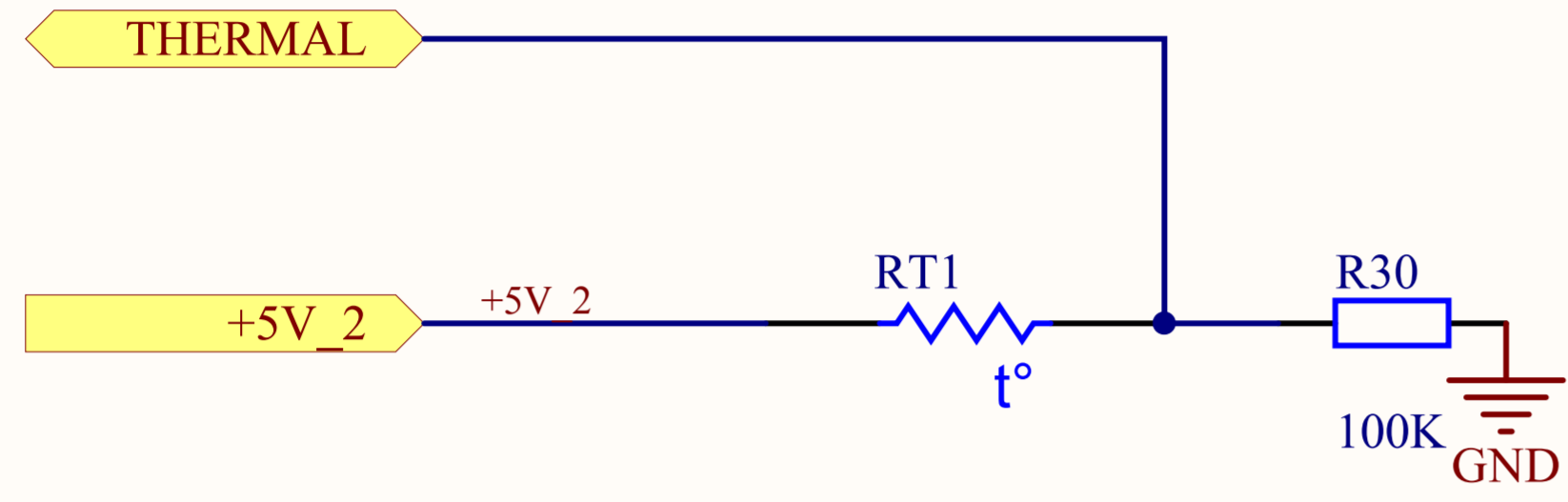
CONFIDENTIAL INFORMATION				
The information in this document shall not be disclosed, copied nor disseminated unless authorized by the authors.				
Drawn	Date: 2/20/2012	Title		
Checked	Date:			
Approved		Size: B	Drawing Number:	Revision:
Engineer F.J. Barbosa		File: C:\Documents and Settings\bpratt\My Documents\UCorfn\Dr. Jones\Altium\Ba	Sheet of	



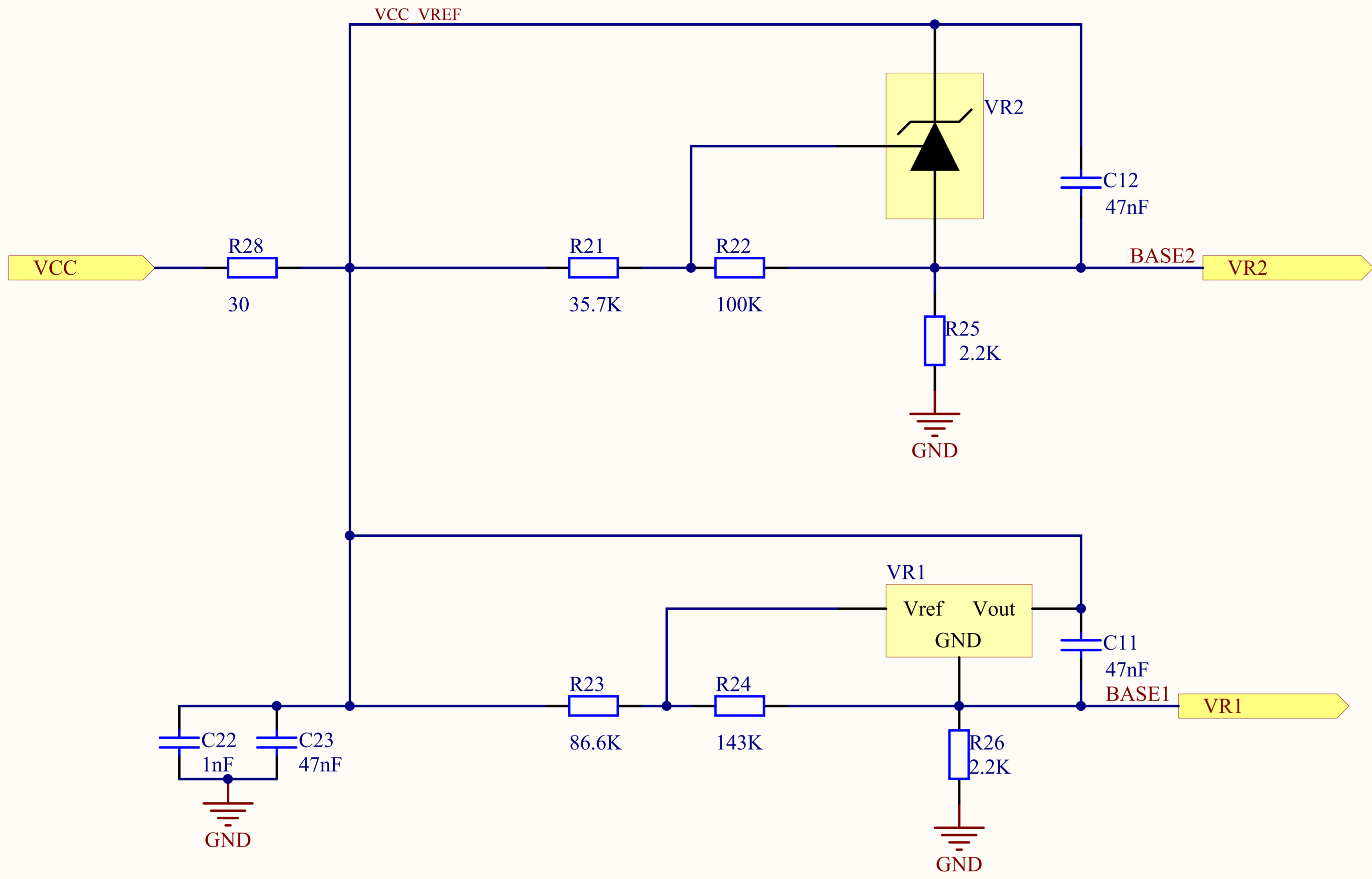
CONFIDENTIAL INFORMATION The information in this document shall not be disclosed, copied nor disseminated unless authorized by the authors.				
Drawn	Date: 2/20/2012	Title		
Checked	Date:			
Approved		Size: B	Drawing Number:	Revision:
Engineer F.J. Barbosa		File: C:\Documents and Settings\bpratt\My Documents\UCorn\Dr. Jones\Altium\Ba	Sheet	of



CONFIDENTIAL INFORMATION The information in this document shall not be disclosed, copied nor disseminated unless authorized by the authors.				
Drawn	Date: 2/20/2012	Title		
Checked	Date:			
Approved		Size: B	Drawing Number:	Revision:
Engineer F.J. Barbosa		File: C:\Documents and Settings\bpratt\My Documents\UCofm\Dr. Jones\Altium\Ba	Sheet of	



Title		
Size	Number	Revision
A		
Date:	2/20/2012	Sheet of
File:	C:\Documents and Settings\...\Thermistor.SchDoc	Drawn By:



Title		
Size	Number	Revision
A		
Date:	2/20/2012	Sheet of
File:	C:\Documents and Settings\... \Voltage Refer...	Drawn By Doc

GlueX Tagger Microscope Preamp
University of Connecticut
Revision: 9/28/2011
AEB / RTJ / IS

