

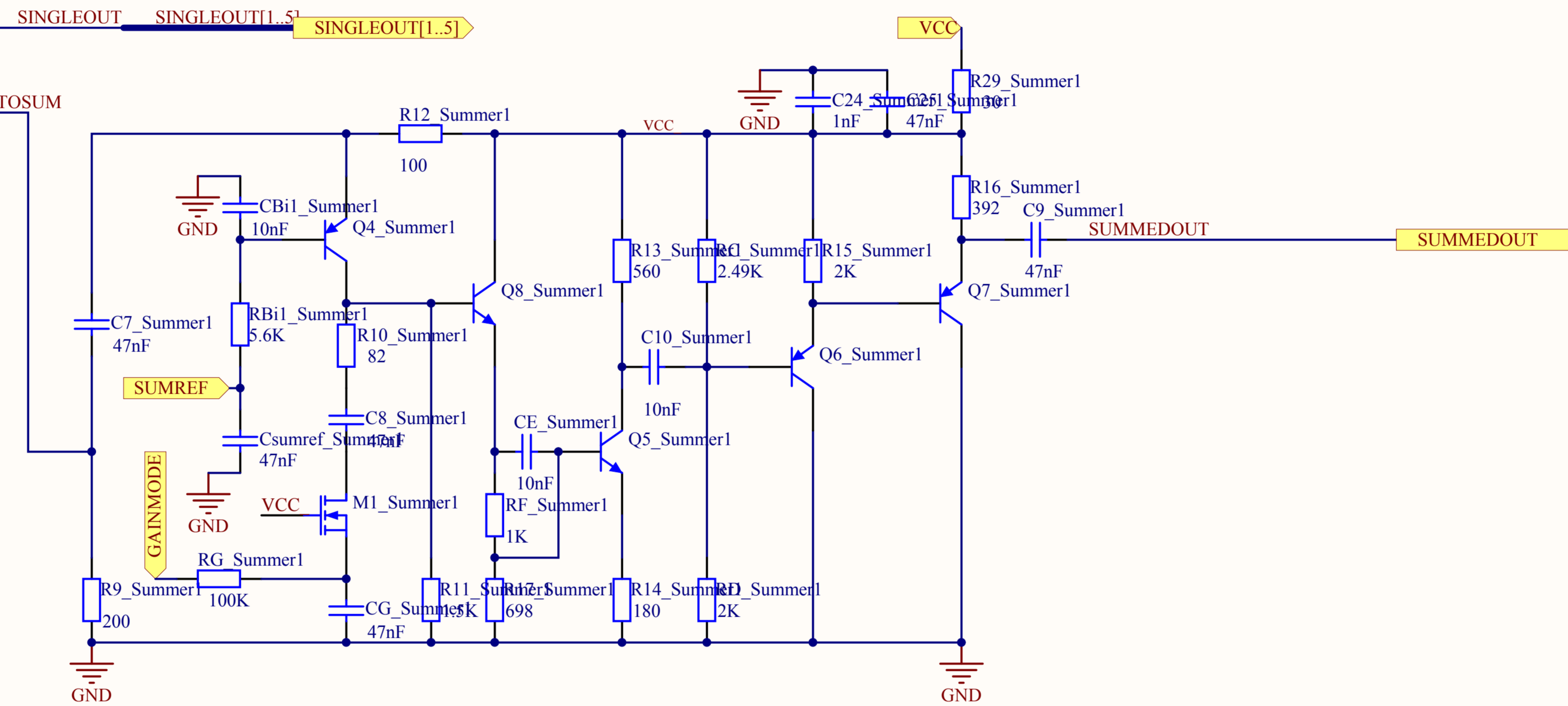
Repeat(AMP,1,5)
Preamp_Chan.SchDoc


Repeat(SINGLEOUT)

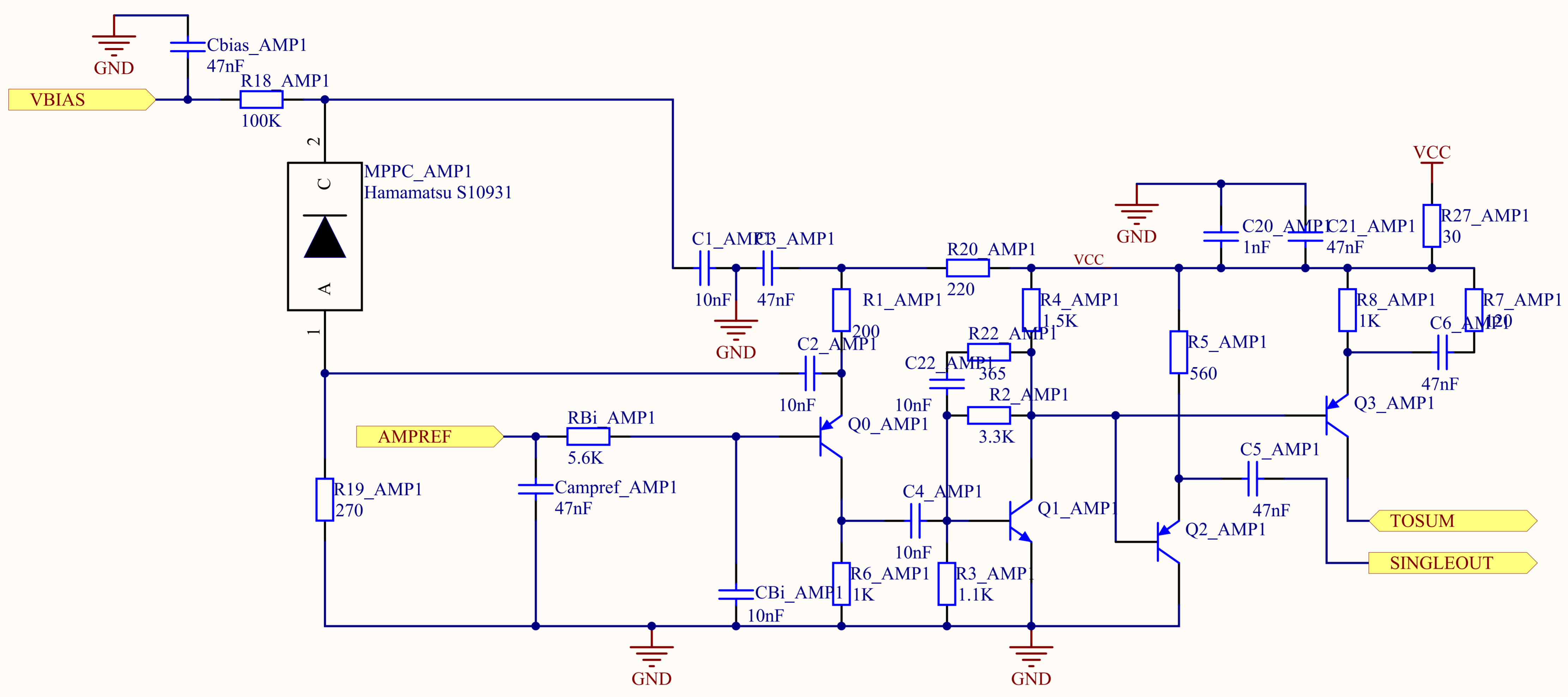
Repeat(VBIAS)

AMPREF

TOSUM



Title TAGM Preamp Summer			Altium Limited L3, 12a Rodborough Rd Frenchs Forest NSW Australia 2086	
Size: B	Number:	Revision:		
Date: 2/27/2014	Time: 6:45:24 PM	Sheet 2 of 5		
File: C:\Documents and Settings\aeabarnes\My Documents\UConn\Barnes\Final Production\Preamplifier\Preamp_Sum.SchDoc				



Title **TAGM Preamp Individual Channel**

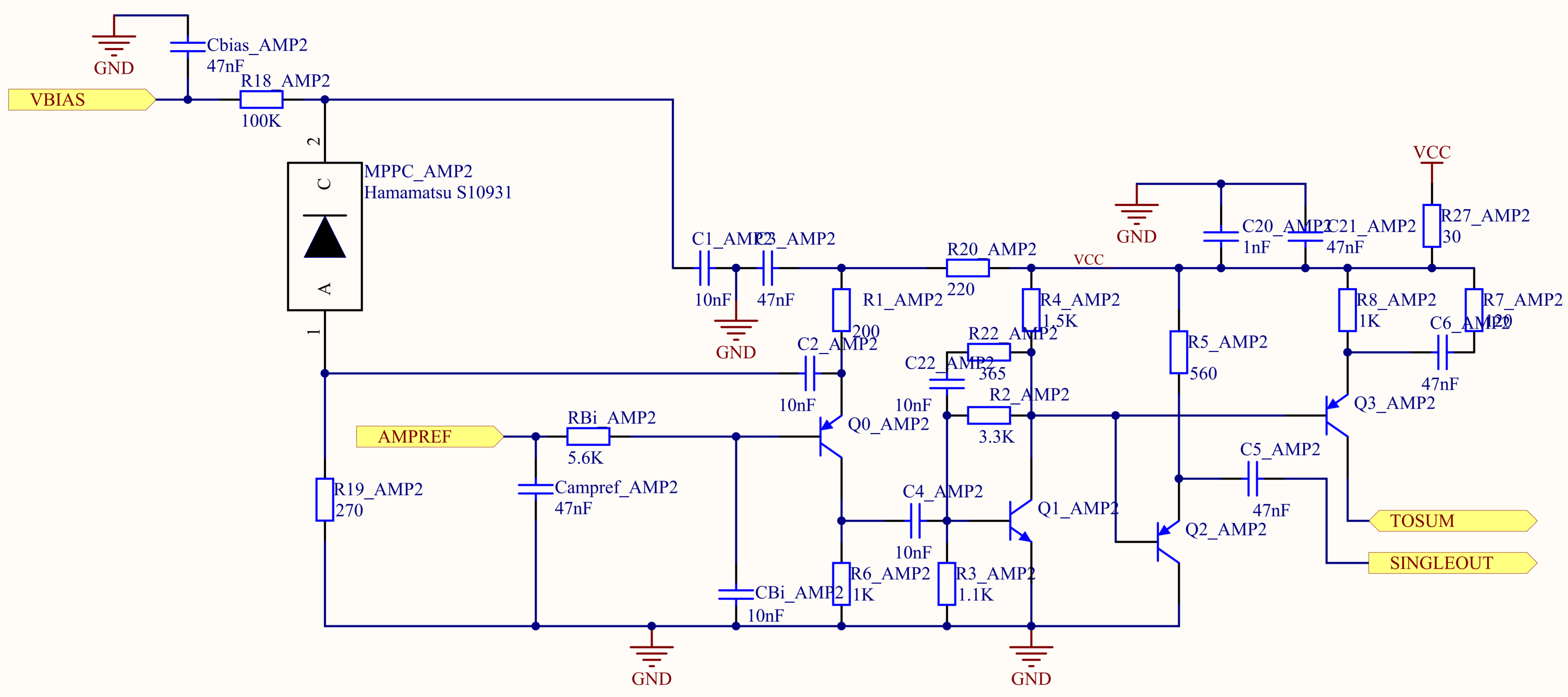
Size: A Number: Revision:

Date: 2/27/2014 Time: 6:45:24 PM Sheet 3 of 5

File: C:\Documents and Settings\aeabarnes\My Documents\UConn\Barnes\Final Production\Preamplifier\Preamp_Chan.SchDoc

Altium Limited
L3, 12a Rodborough Rd
Frenchs Forest
NSW
Australia 2086





Title **TAGM Preamp Individual Channel**

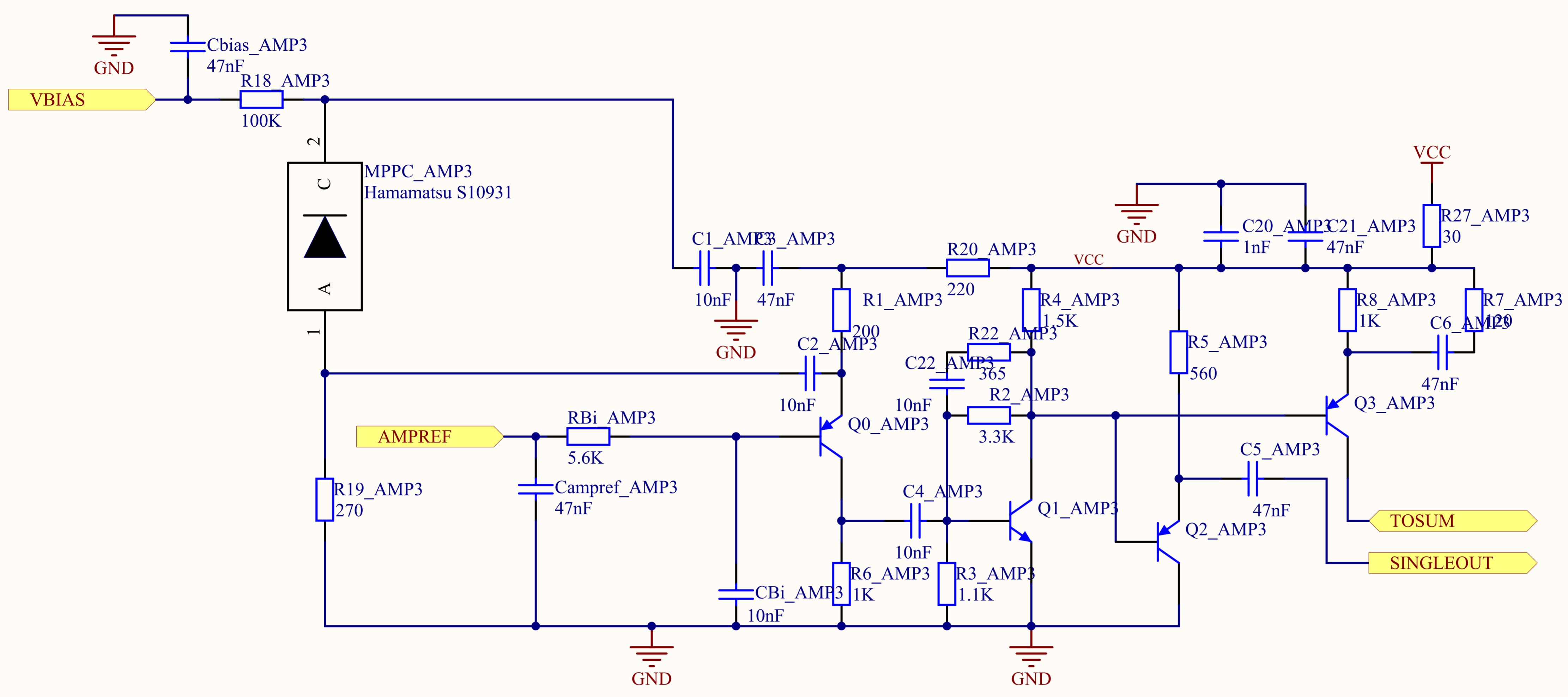
Size: A Number: Revision:

Date: 2/27/2014 Time: 6:45:24 PM Sheet 3 of 5

File: C:\Documents and Settings\aeabarnes\My Documents\UConn\Barnes\Final Production\Preamplifier\Preamp_Chan.SchDoc

Altium Limited
L3, 12a Rodborough Rd
Frenchs Forest
NSW
Australia 2086





Title **TAGM Preamp Individual Channel**

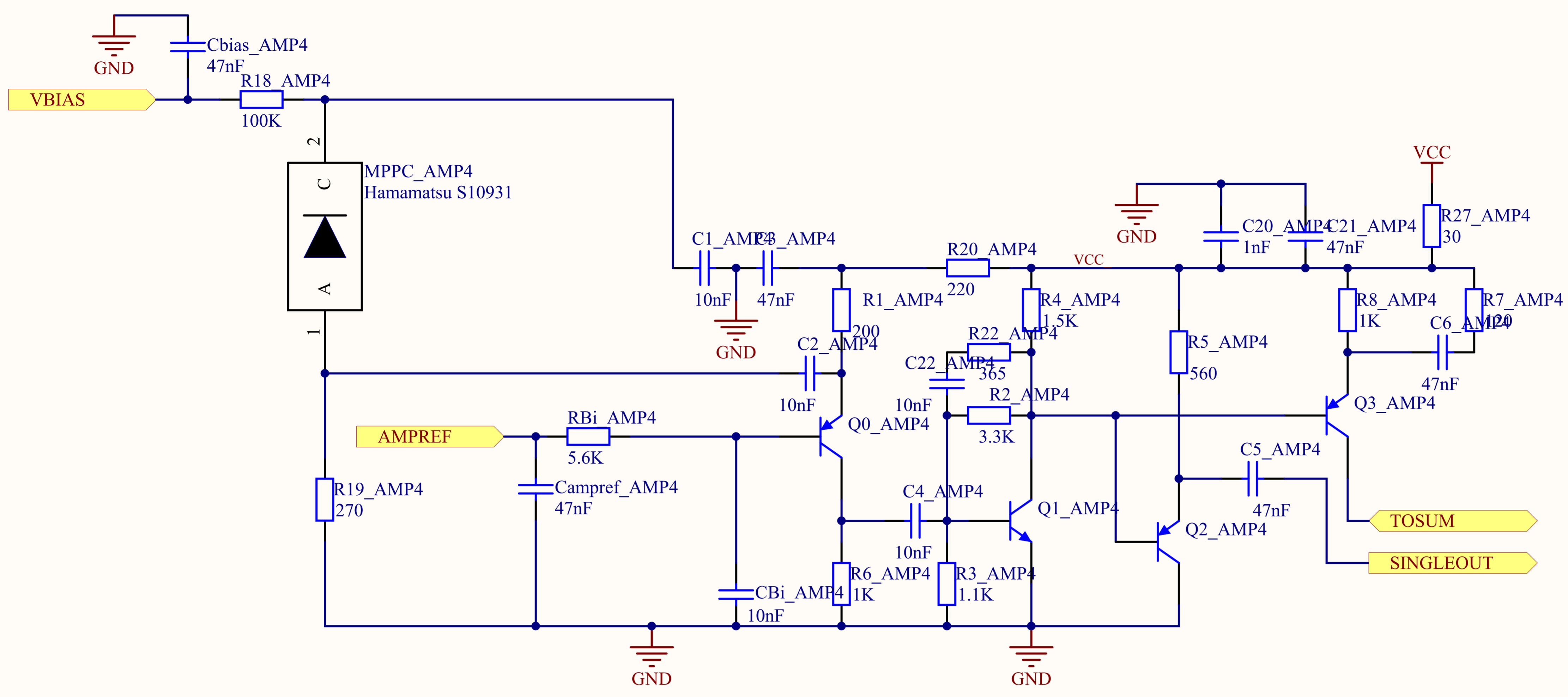
Size: A Number: Revision:

Date: 2/27/2014 Time: 6:45:25 PM Sheet 3 of 5

File: C:\Documents and Settings\aeabarnes\My Documents\UConn\Barnes\Final Production\Preamplifier\Preamp_Chan.SchDoc

Altium Limited
L3, 12a Rodborough Rd
Frenchs Forest
NSW
Australia 2086





Title **TAGM Preamp Individual Channel**

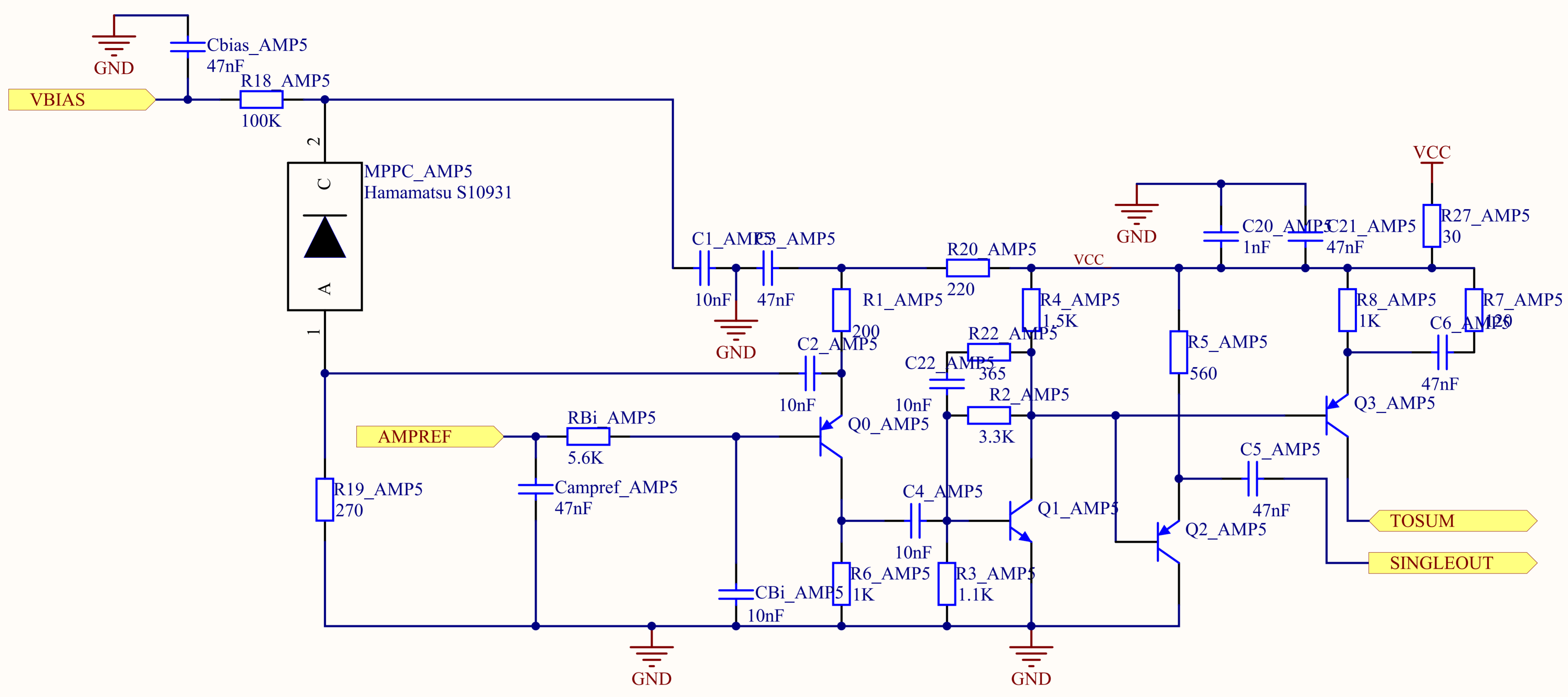
Size: A Number: Revision:

Date: 2/27/2014 Time: 6:45:25 PM Sheet 3 of 5

File: C:\Documents and Settings\aebarne\My Documents\UConn\Barnes\Final Production\Preamplifier\Preamp_Chan.SchDoc

Altium Limited
L3, 12a Rodborough Rd
Frenchs Forest
NSW
Australia 2086





Title **TAGM Preamp Individual Channel**

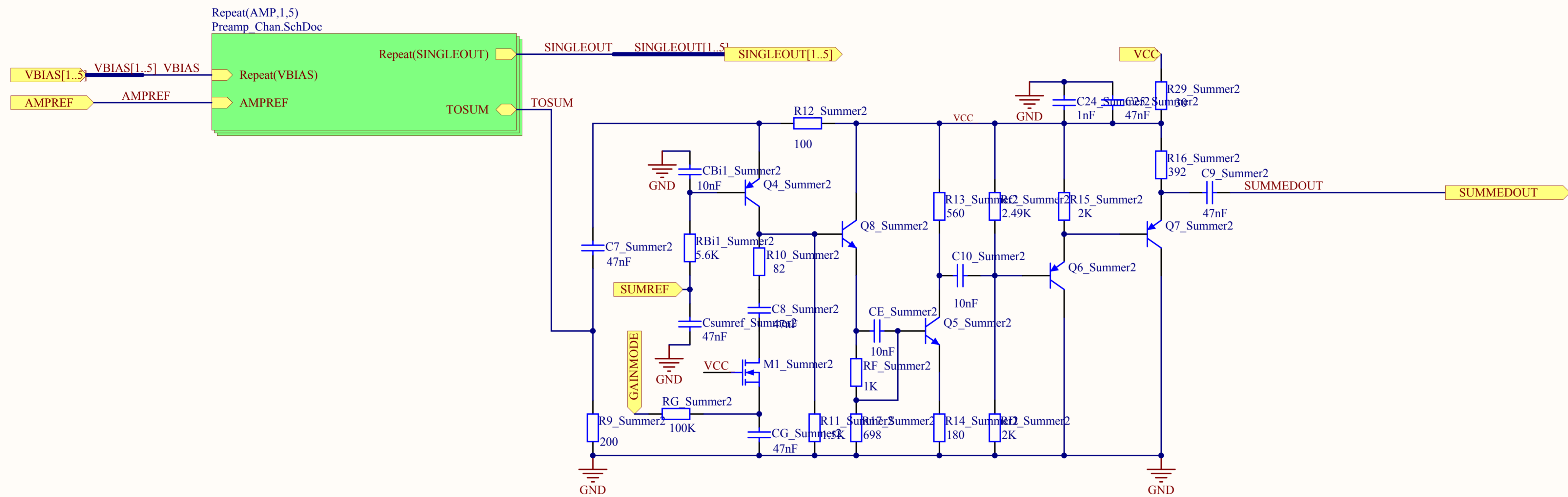
Size: A Number: Revision:

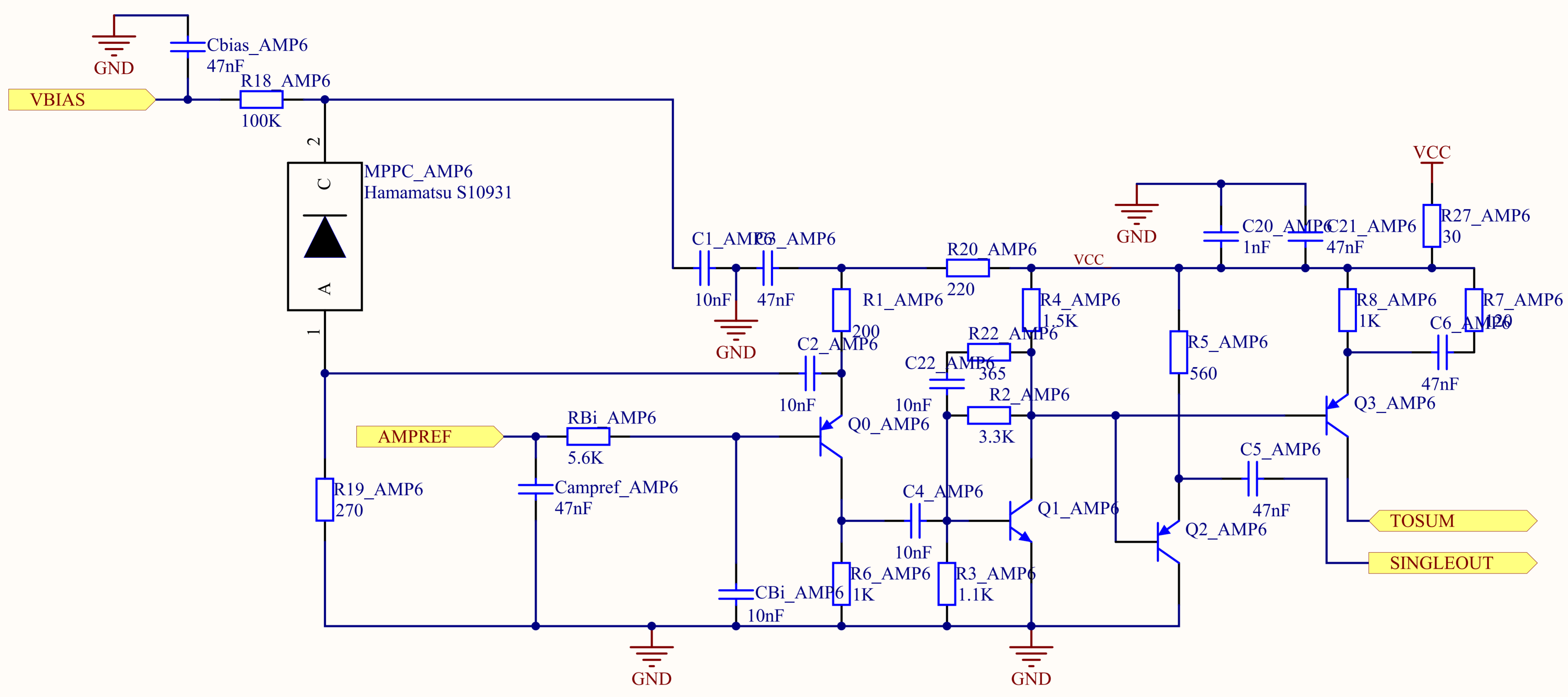
Date: 2/27/2014 Time: 6:45:25 PM Sheet 3 of 5

File: C:\Documents and Settings\aeabarnes\My Documents\UConn\Barnes\Final Production\Preamplifier\Preamp_Chan.SchDoc

Altium Limited
L3, 12a Rodborough Rd
Frenchs Forest
NSW
Australia 2086







Title **TAGM Preamp Individual Channel**

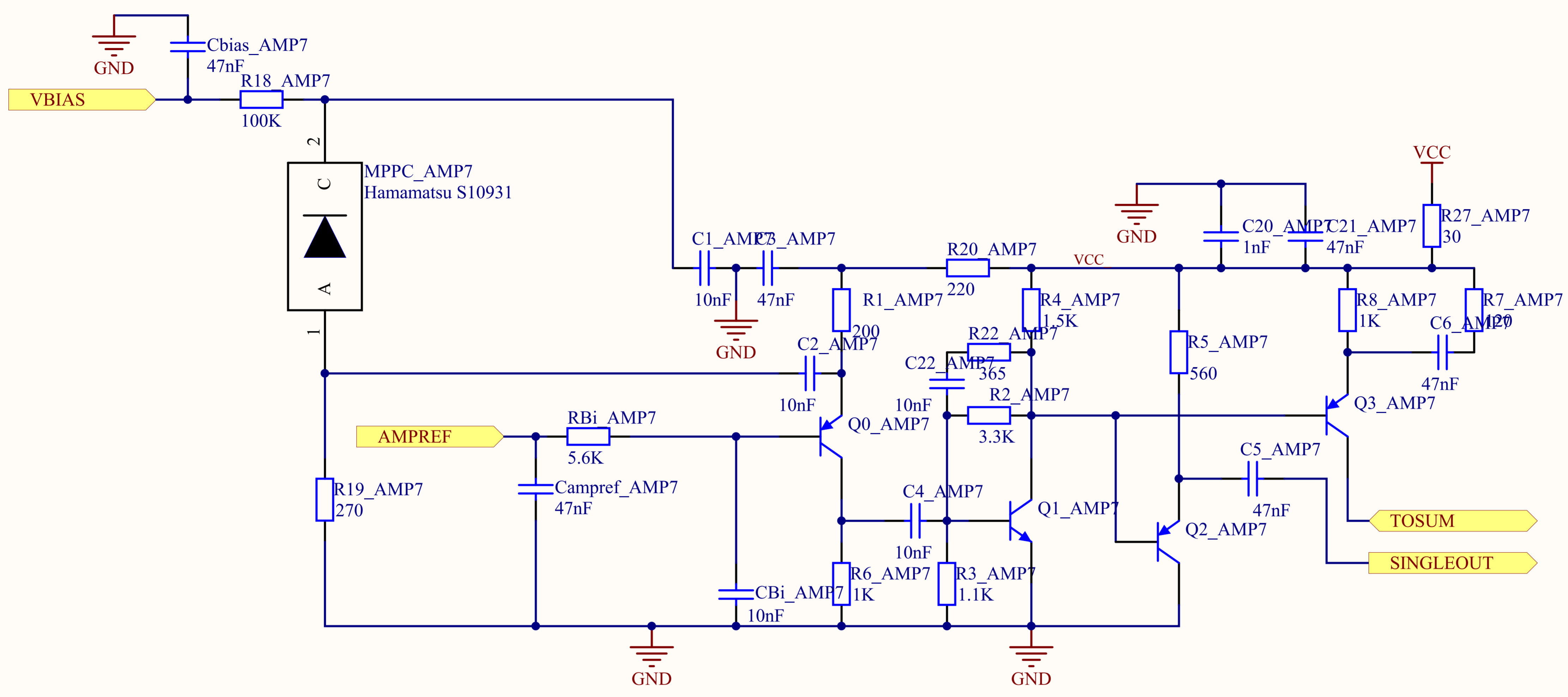
Size: A Number: Revision:

Date: 2/27/2014 Time: 6:45:26 PM Sheet 3 of 5

File: C:\Documents and Settings\aeabarnes\My Documents\UConn\Barnes\Final Production\Preamplifier\Preamp_Chan.SchDoc

Altium Limited
L3, 12a Rodborough Rd
Frenchs Forest
NSW
Australia 2086





Title **TAGM Preamp Individual Channel**

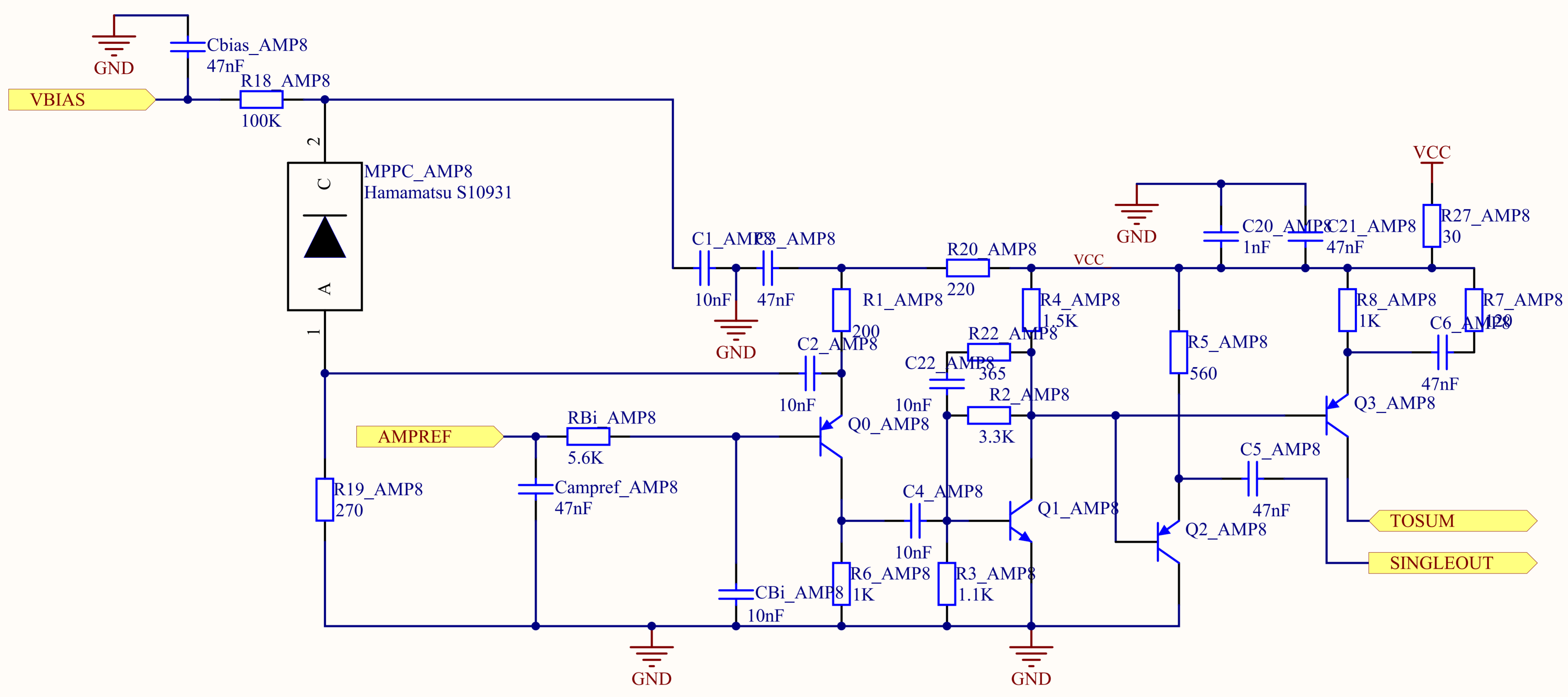
Size: A Number: Revision:

Date: 2/27/2014 Time: 6:45:26 PM Sheet 3 of 5

File: C:\Documents and Settings\aeabarnes\My Documents\UConn\Barnes\Final Production\Preamplifier\Preamp_Chan.SchDoc

Altium Limited
L3, 12a Rodborough Rd
Frenchs Forest
NSW
Australia 2086





Title **TAGM Preamp Individual Channel**

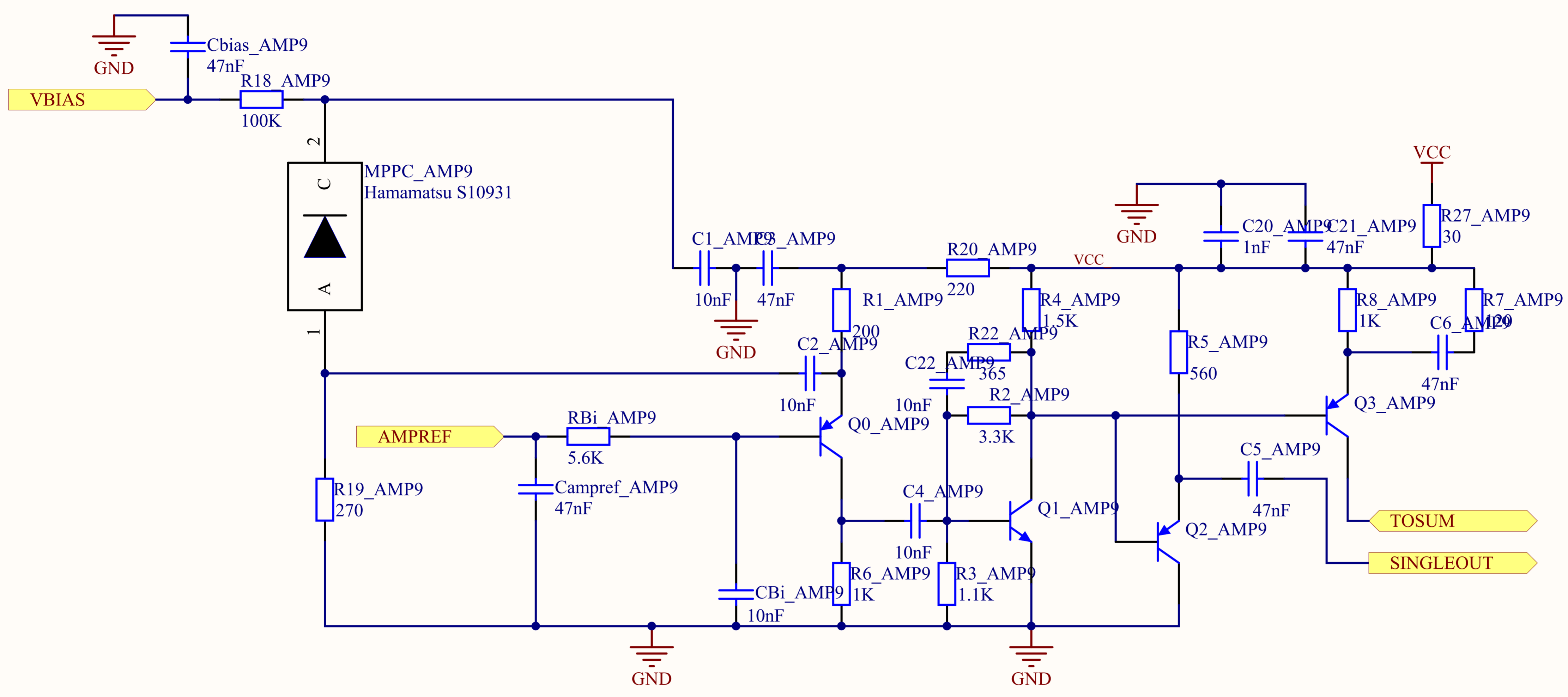
Size: A Number: Revision:

Date: 2/27/2014 Time: 6:45:26 PM Sheet 3 of 5

File: C:\Documents and Settings\aeabarnes\My Documents\UConn\Barnes\Final Production\Preamplifier\Preamp_Chan.SchDoc

Altium Limited
L3, 12a Rodborough Rd
Frenchs Forest
NSW
Australia 2086





Title **TAGM Preamp Individual Channel**

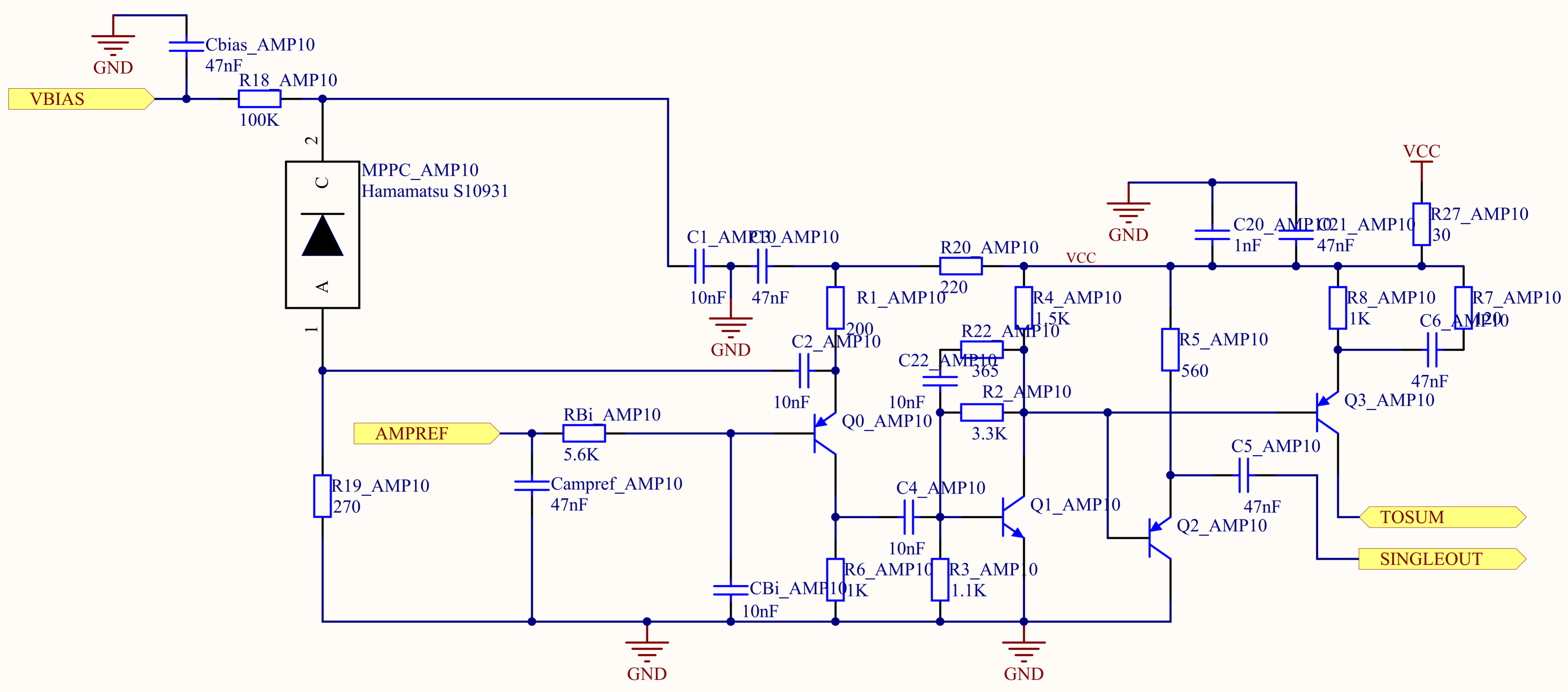
Size: A Number: Revision:

Date: 2/27/2014 Time: 6:45:26 PM Sheet 3 of 5

File: C:\Documents and Settings\aeabarnes\My Documents\UConn\Barnes\Final Production\Preamplifier\Preamp_Chan.SchDoc

Altium Limited
L3, 12a Rodborough Rd
Frenchs Forest
NSW
Australia 2086





Title **TAGM Preamp Individual Channel**

Altium Limited
L3, 12a Rodborough Rd
Frenchs Forest
NSW
Australia 2086



Size: A Number: Revision:

Date: 2/27/2014 Time: 6:45:27 PM Sheet 3 of 5

File: C:\Documents and Settings\aeabarnes\My Documents\UConn\Barnes\Final Production\Preamplifier\Preamp_Chan.SchDoc

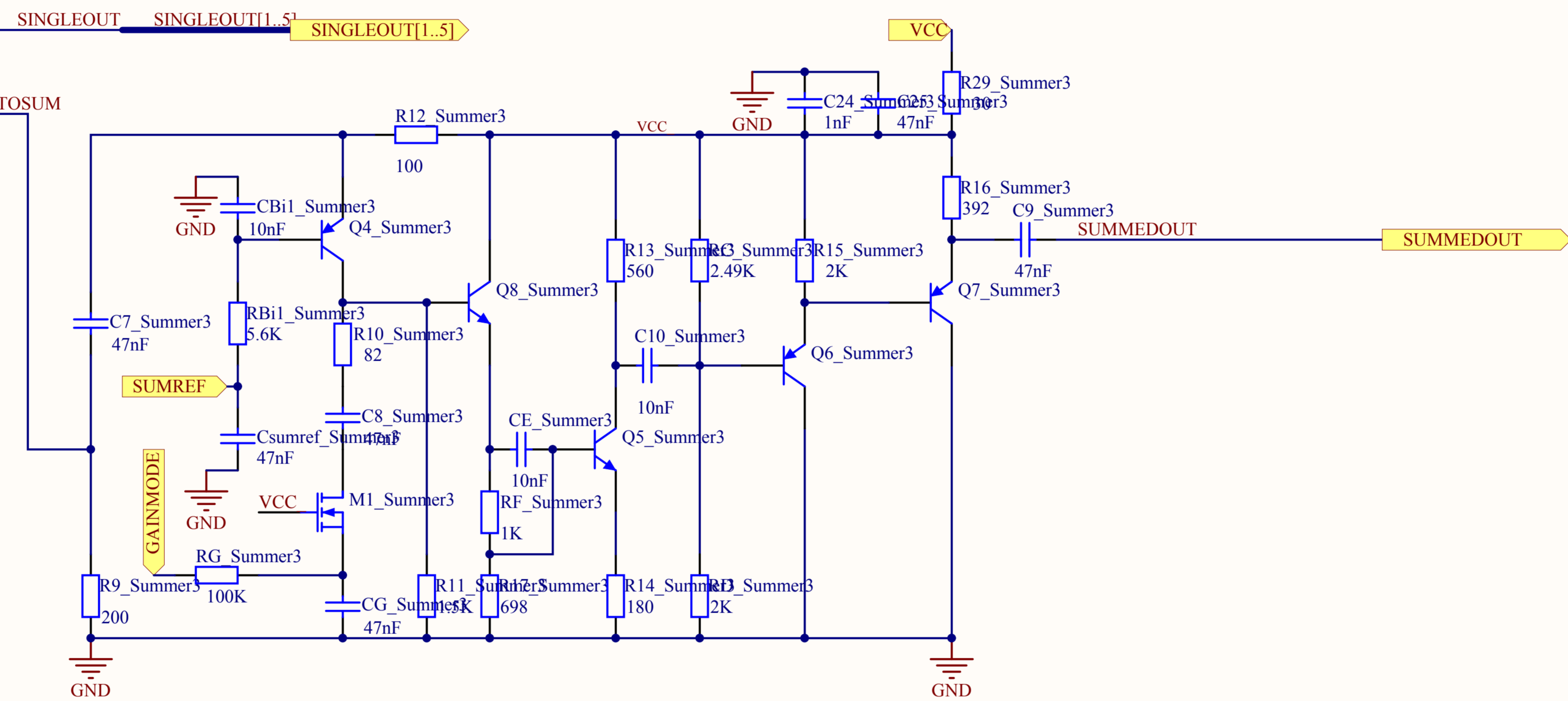
Repeat(AMP,1,5)
Preamp_Chan.SchDoc


Repeat(SINGLEOUT)

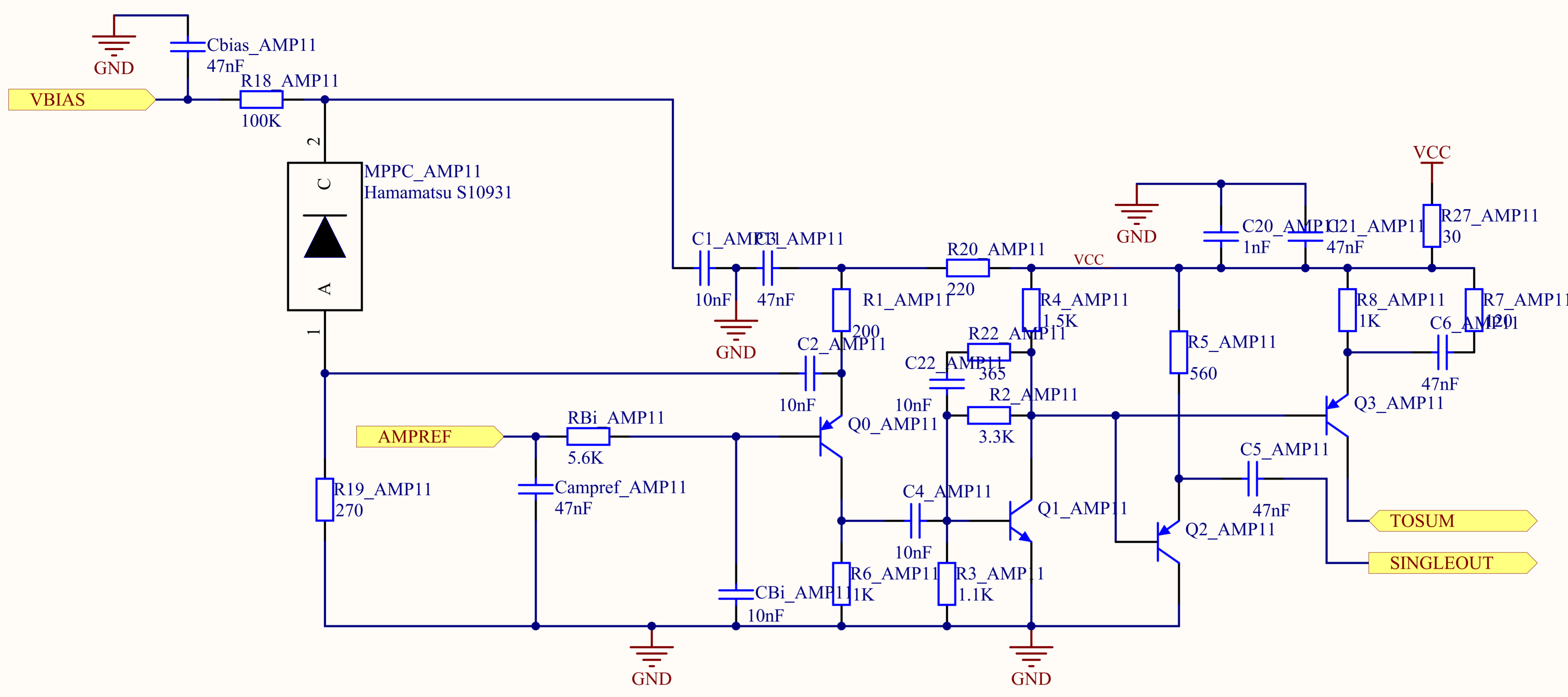
Repeat(VBIAS)

AMPREF

TOSUM



Title TAGM Preamp Summer			Altium Limited L3, 12a Rodborough Rd Frenchs Forest NSW Australia 2086	
Size: B	Number:	Revision:		
Date: 2/27/2014	Time: 6:45:27 PM	Sheet 2 of 5		
File: C:\Documents and Settings\aeabarnes\My Documents\UConn\Barnes\Final Production\Preamplifier\Preamp_Sum.SchDoc				



Title **TAGM Preamp Individual Channel**

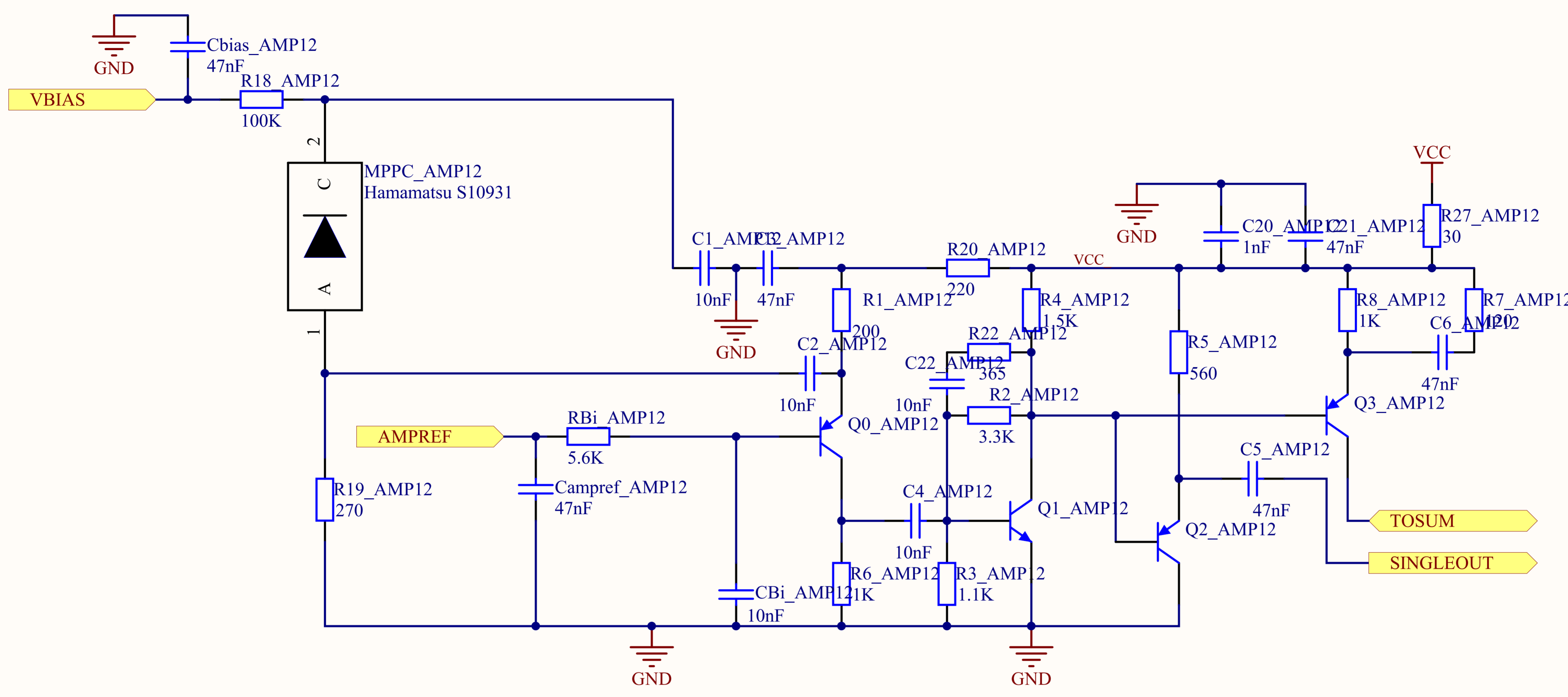
Size: A Number: Revision:

Date: 2/27/2014 Time: 6:45:27 PM Sheet 3 of 5

File: C:\Documents and Settings\aeabarnes\My Documents\UConn\Barnes\Final Production\Preamplifier\Preamp_Chan.SchDoc

Altium Limited
L3, 12a Rodborough Rd
Frenchs Forest
NSW
Australia 2086





Title **TAGM Preamp Individual Channel**

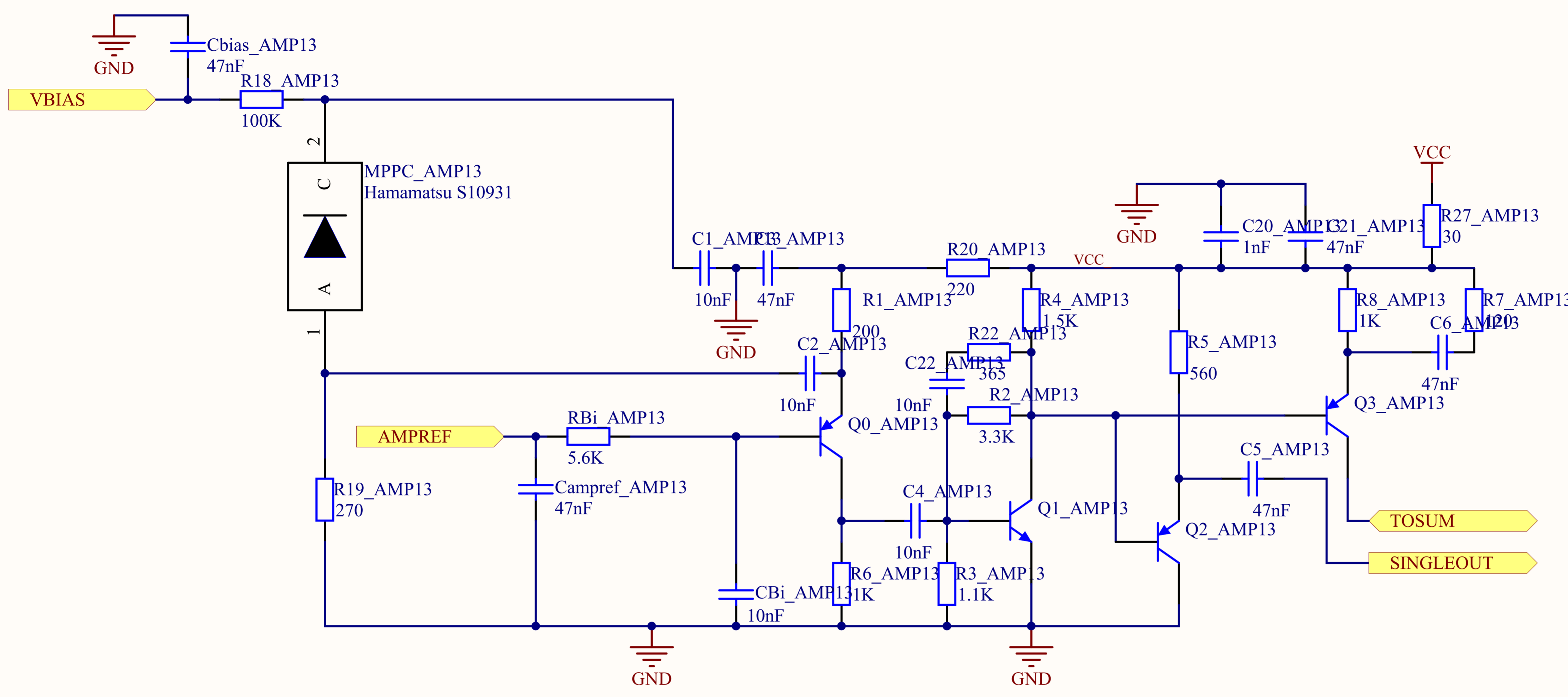
Size: A Number: Revision:

Date: 2/27/2014 Time: 6:45:27 PM Sheet 3 of 5

File: C:\Documents and Settings\aeabarnes\My Documents\UConn\Barnes\Final Production\Preamplifier\Preamp_Chan.SchDoc

Altium Limited
L3, 12a Rodborough Rd
Frenchs Forest
NSW
Australia 2086





Title **TAGM Preamp Individual Channel**

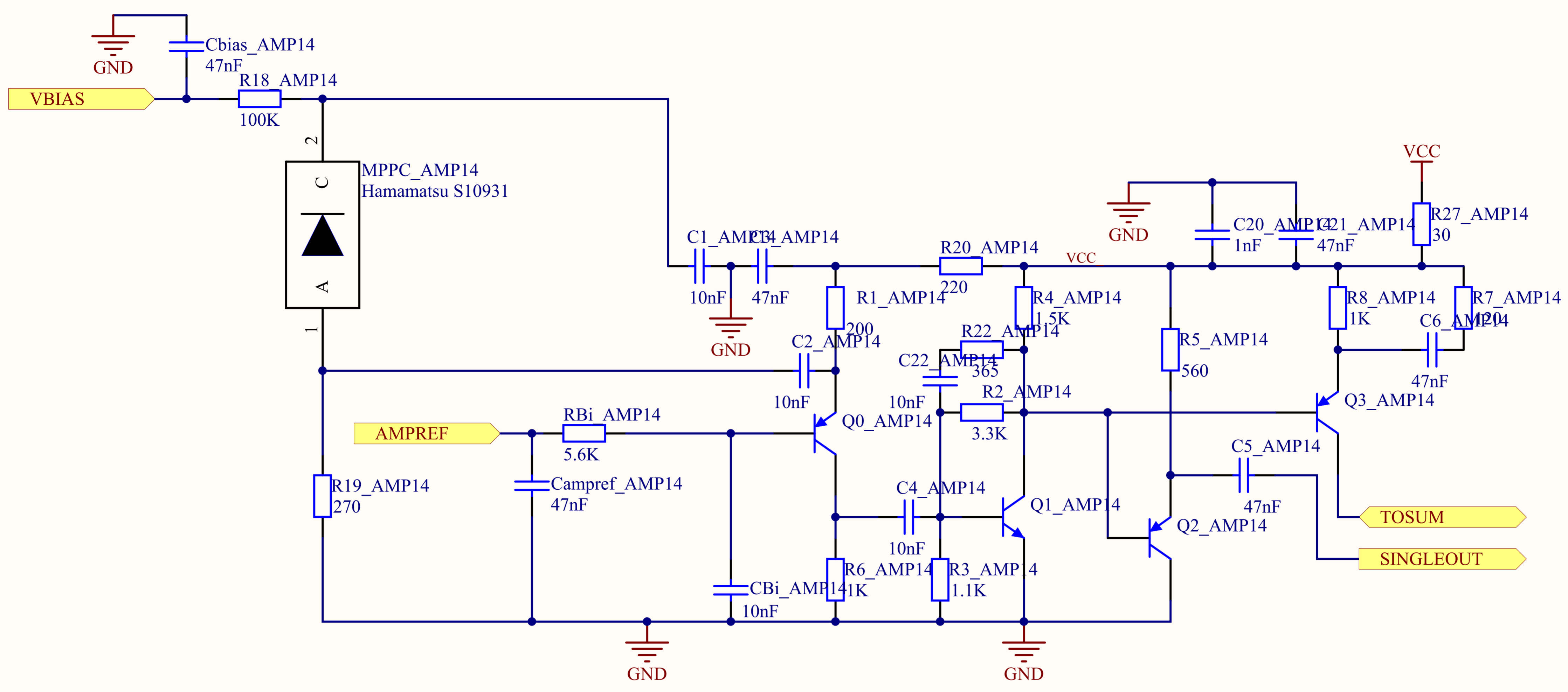
Size: A Number: Revision:

Date: 2/27/2014 Time: 6:45:28 PM Sheet 3 of 5

File: C:\Documents and Settings\aeabarnes\My Documents\UConn\Barnes\Final Production\Preamplifier\Preamp_Chan.SchDoc

Altium Limited
L3, 12a Rodborough Rd
Frenchs Forest
NSW
Australia 2086





Title **TAGM Preamp Individual Channel**

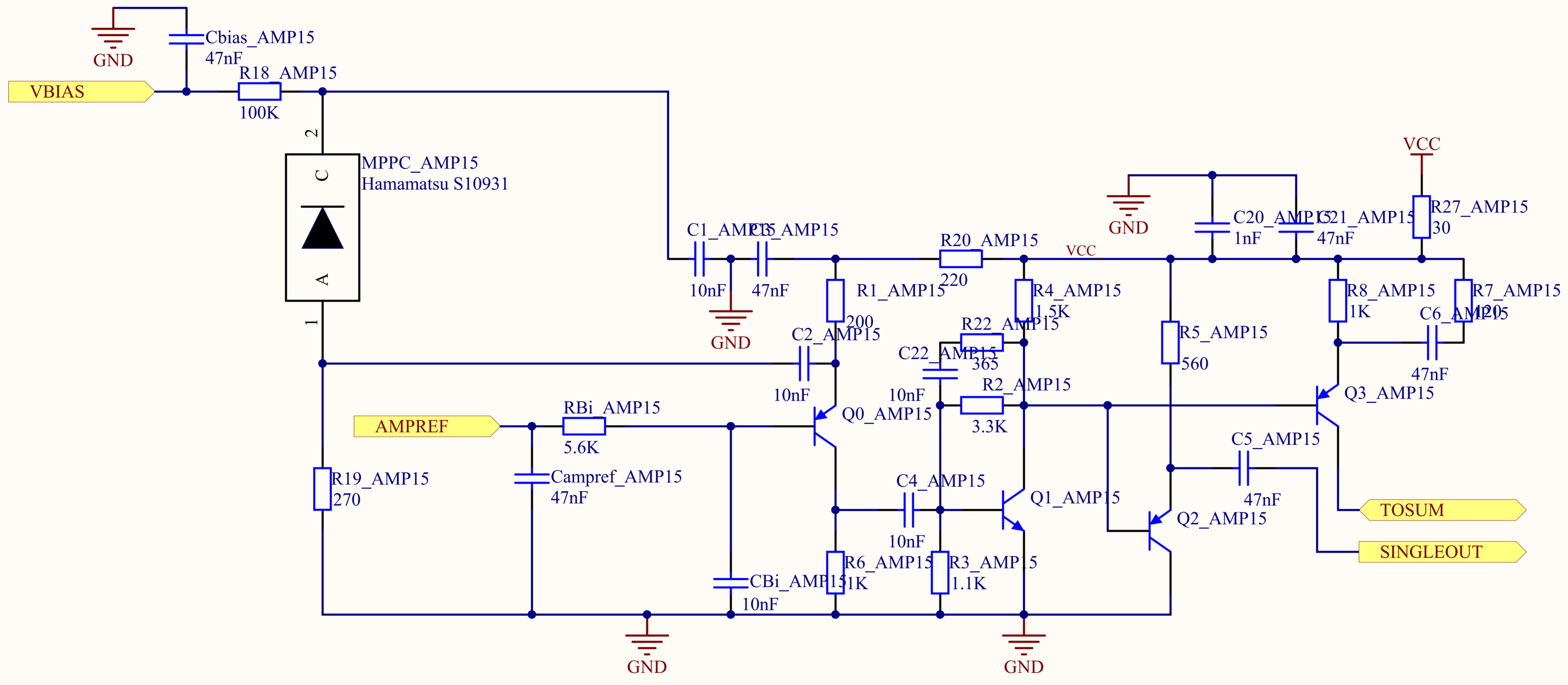
Altium Limited
 L3, 12a Rodborough Rd
 Frenchs Forest
 NSW
 Australia 2086



Size: A Number: Revision:

Date: 2/27/2014 Time: 6:45:28 PM Sheet 3 of 5

File: C:\Documents and Settings\aeabarnes\My Documents\UConn\Barnes\Final Production\Preamplifier\Preamp_Chan.SchDoc



Title **TAGM Preamp Individual Channel**

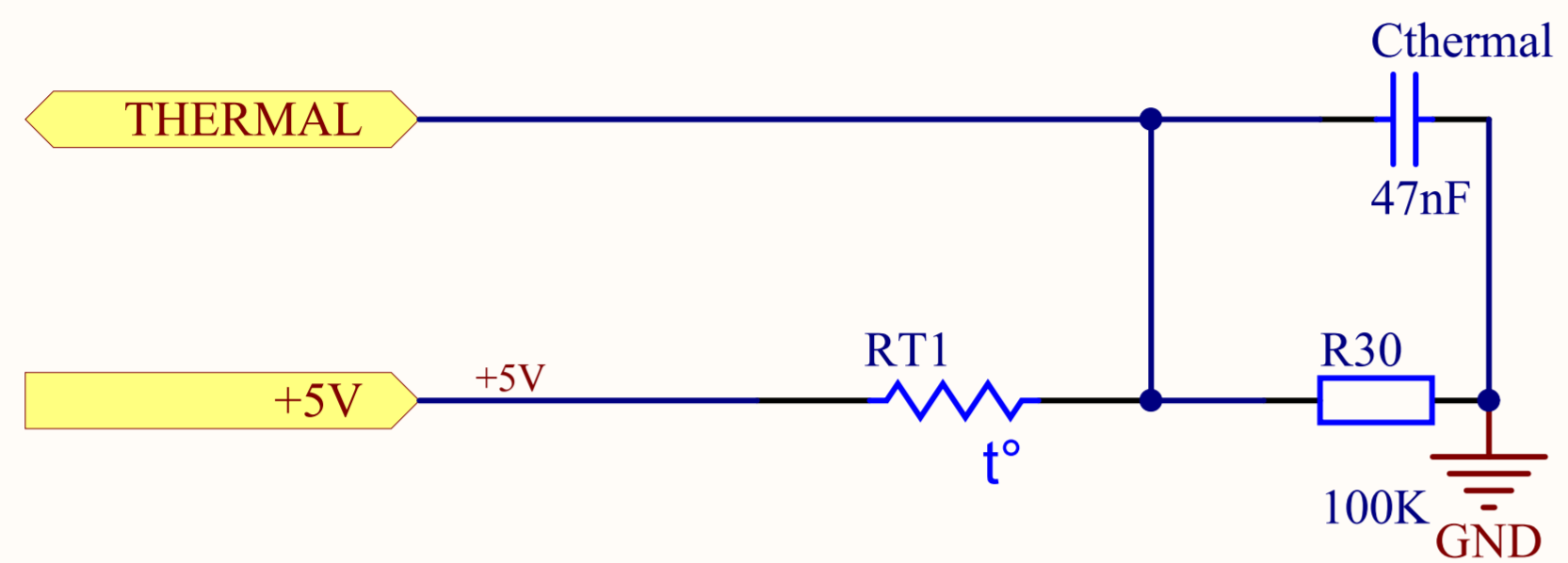
Size: A Number: Revision:


Date: 2/27/2014 Time: 6:45:28 PM Sheet 3 of 5

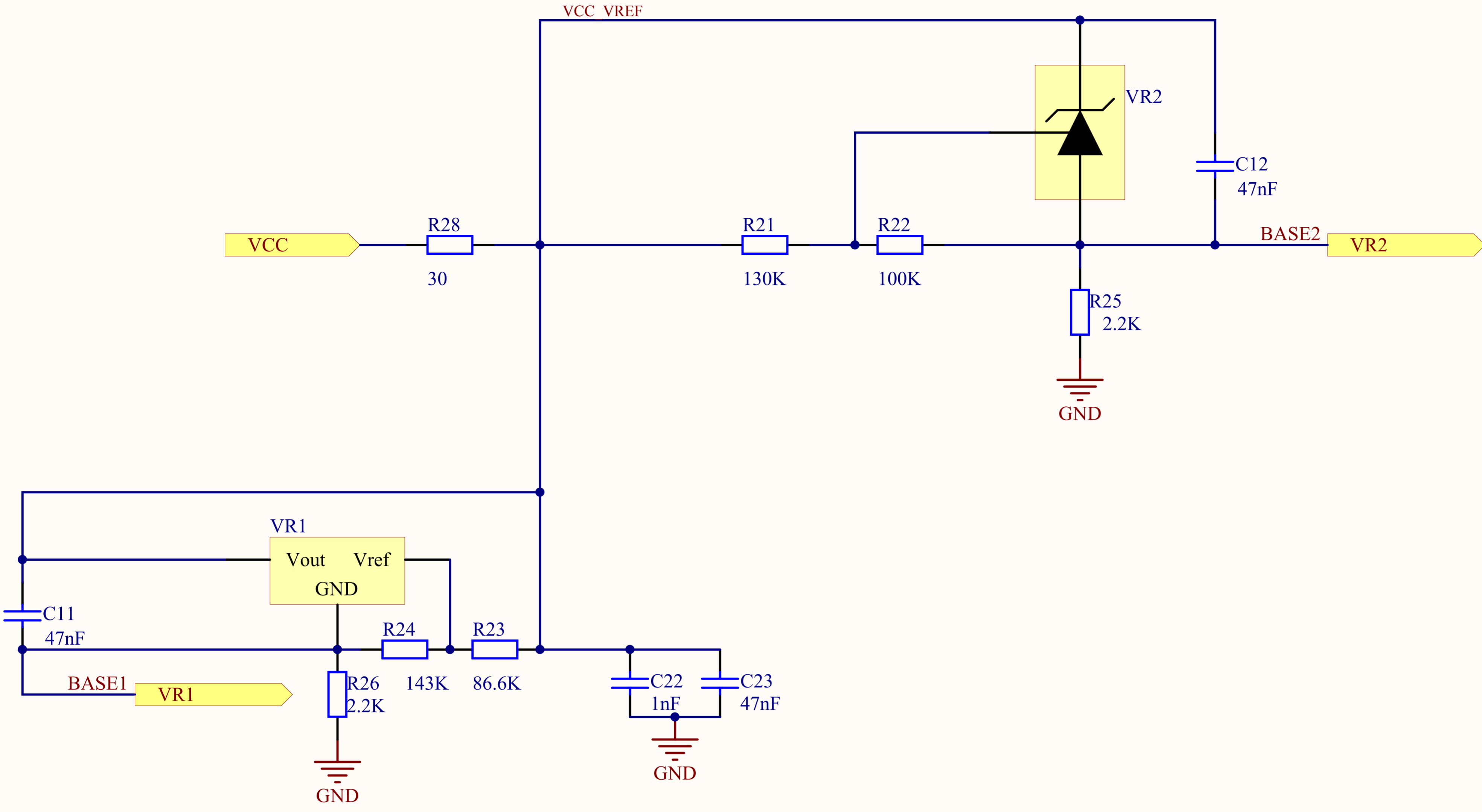
File: C:\Documents and Settings\aeabarnes\My Documents\UConn\Barnes\Final Production\Preamplifier\Preamp_Chan.SchDoc

Altium Limited
L3, 12a Rodborough Rd
Frenchs Forest
NSW
Australia 2086





Title <i>TAGM Preamp Thermistor</i>			<i>Altium Limited</i> <i>L3, 12a Rodborough Rd</i> <i>Frenchs Forest</i> <i>NSW</i> <i>Australia 2086</i>	
Size: A	Number:	Revision:		
Date: 2/27/2014	Time: 6:45:28 PM	Sheet 4 of 5		
File: C:\Documents and Settings\aeabarnes\My Documents\UConn\Barnes\Final Production\Preamplifier\Thermistor.SchDoc				



Title **TAGM Preamp Voltage References**

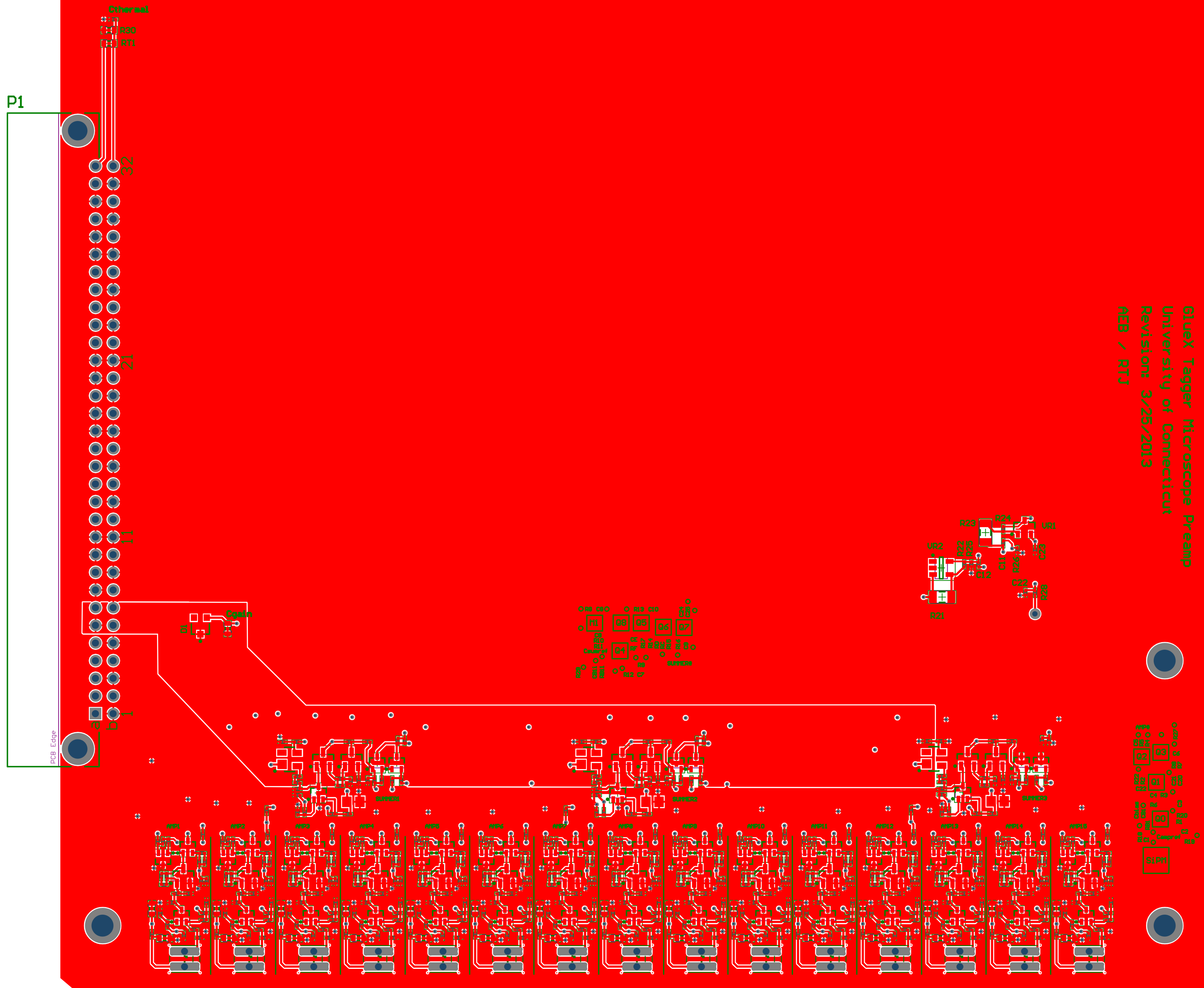
Altium Limited
 L3, 12a Rodborough Rd
 Frenchs Forest
 NSW
 Australia 2086



Size: A Number: Revision:

Date: 2/27/2014 Time: 6:45:29 PM Sheet 5 of 5

File: C:\Documents and Settings\aeabarnes\My Documents\UConn\Barnes\Final Production\Preamplifier\Voltage References.SchDoc



GlueX Tagger Microscope Preamp
 University of Connecticut
 Revision: 3/25/2013
 AEB / RTJ

