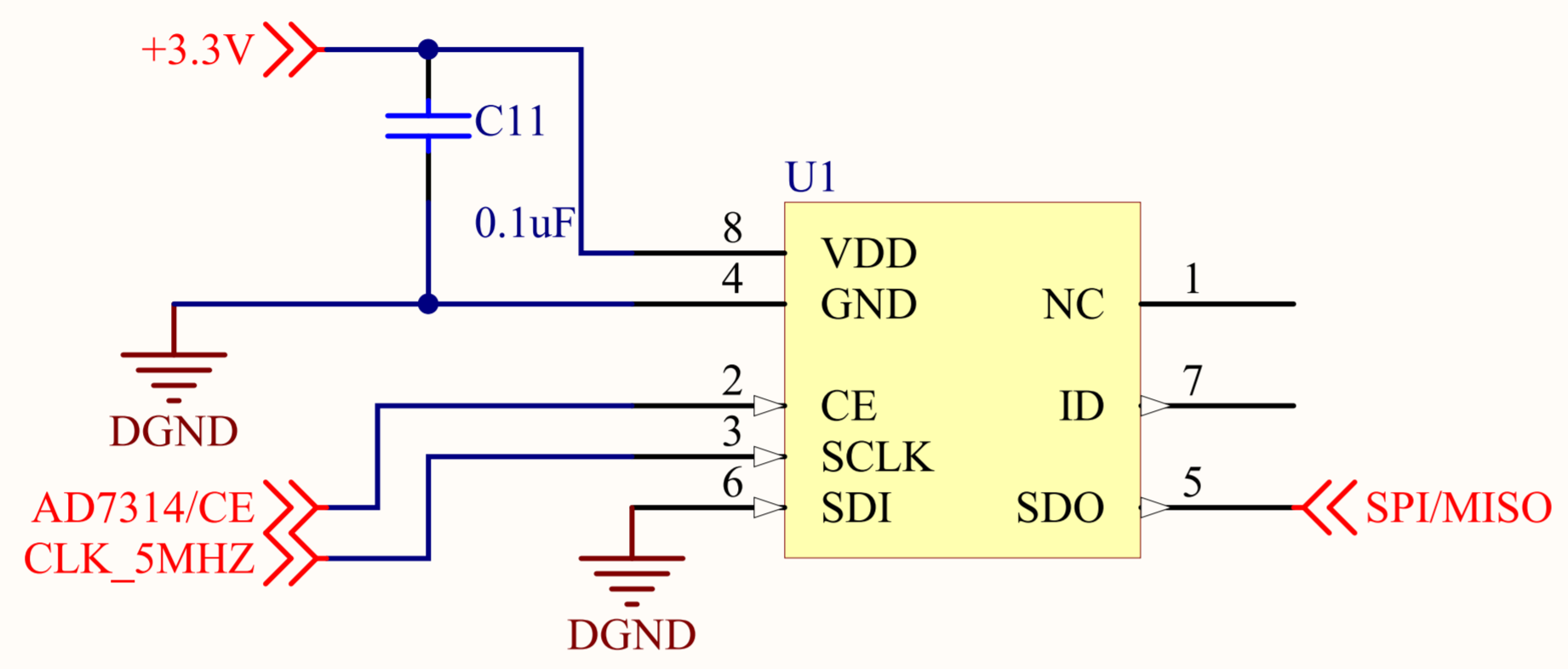

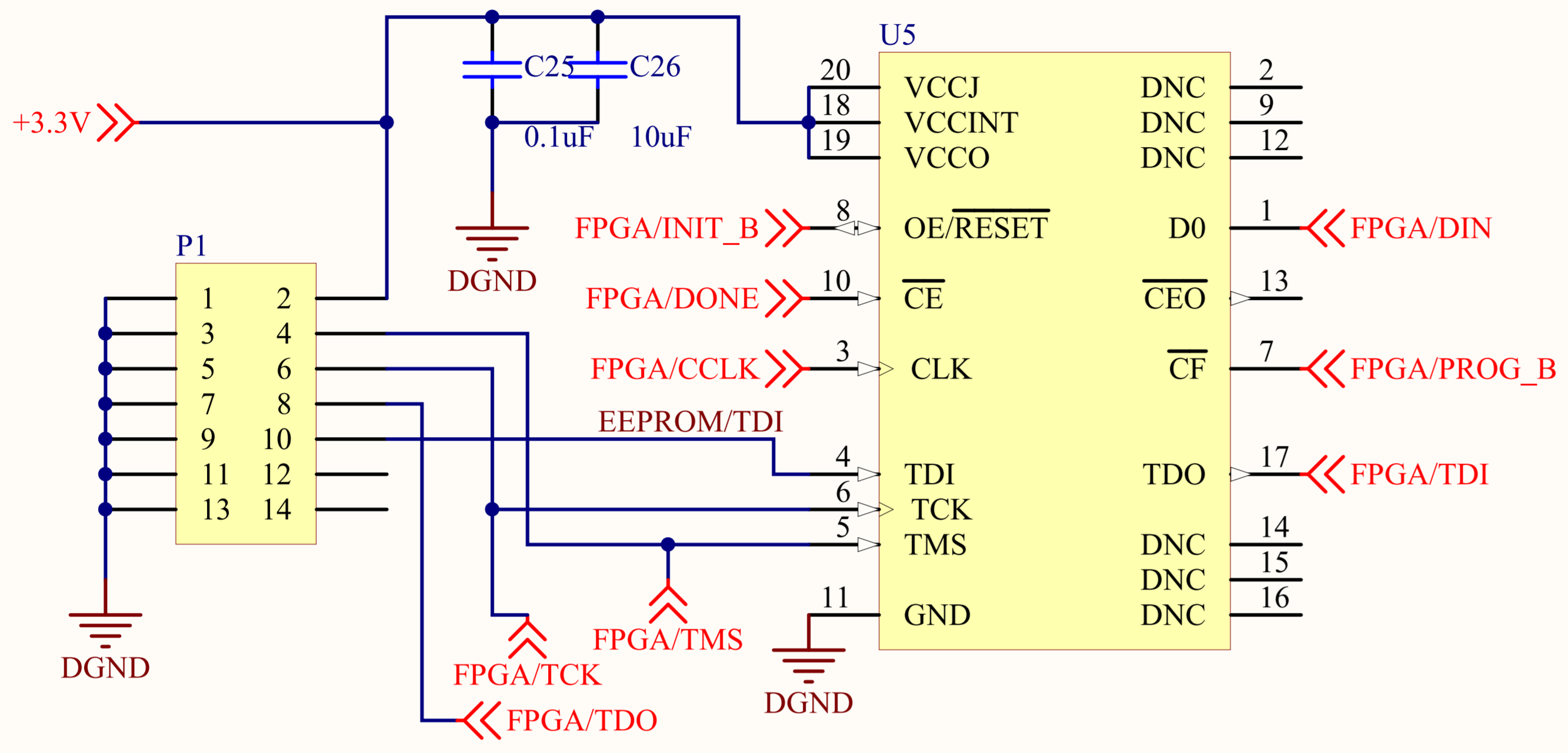


Title TAGM Bias Control DAC			Altium Limited L3, 12a Rodborough Rd Frenchs Forest NSW Australia 2086
Size: A	Number:	Revision:	
Date: 3/9/2015	Time: 4:03:31 PM	Sheet 2 of 8	
File: C:\Documents and Settings\aeabarnes\My Documents\UConn\Barnes\Final Production\Bias Control Board\AD5535.SchDoc			





Title <i>TAGM Bias Control Temperature Monitor</i>			<i>Altium Limited</i> <i>L3, 12a Rodborough Rd</i> <i>Frenchs Forest</i> <i>NSW</i> <i>Australia 2086</i>	
Size: A	Number:	Revision:		
Date: 3/9/2015	Time: 4:03:31 PM	Sheet 3 of 8		
File: C:\Documents and Settings\aebarne\My Documents\UConn\Barnes\Final Production\Bias Control Board\AD7314.SchDoc				



Title ***TAGM Bias Control EEPROM***

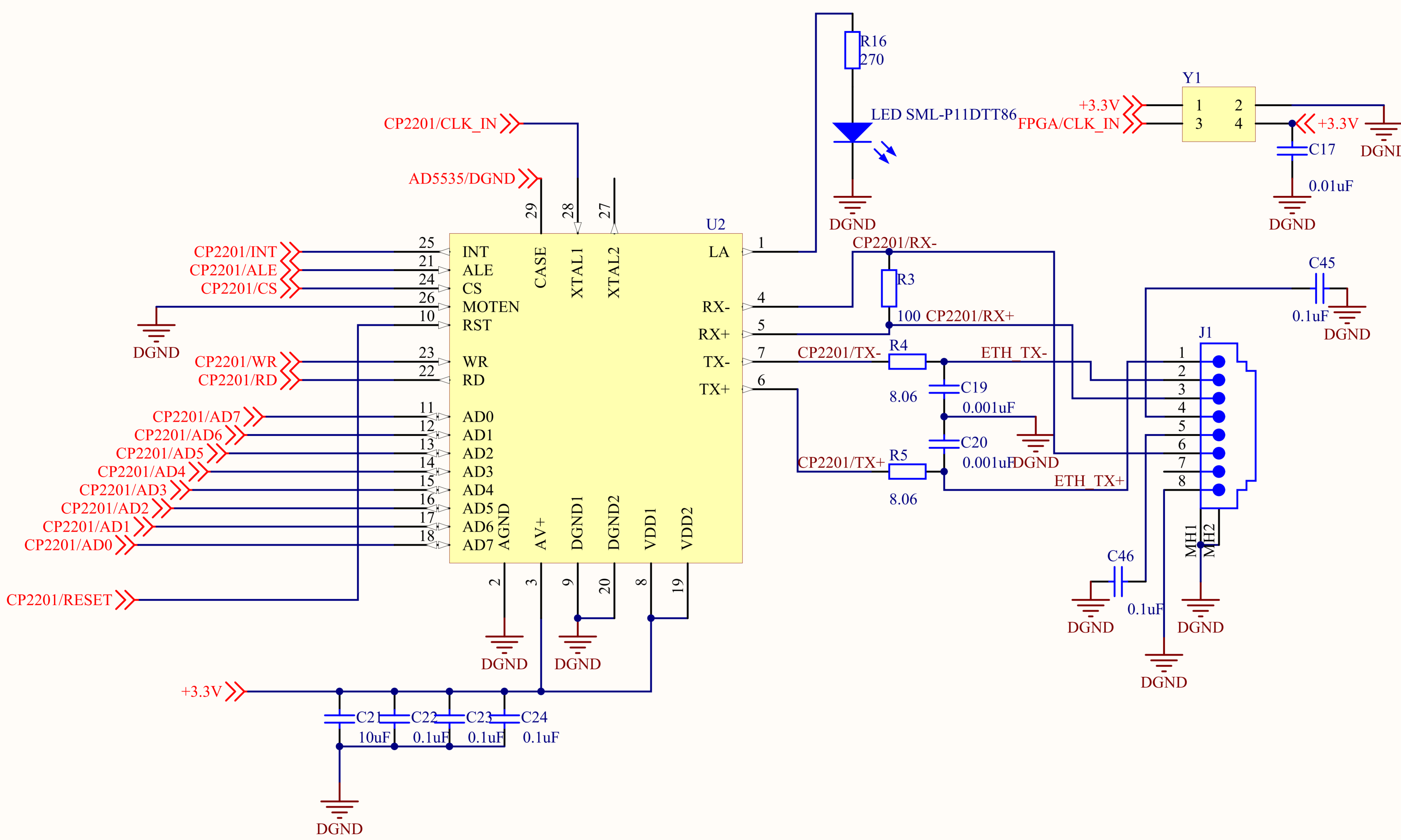
*Altium Limited
L3, 12a Rodborough Rd
Frenchs Forest
NSW
Australia 2086*

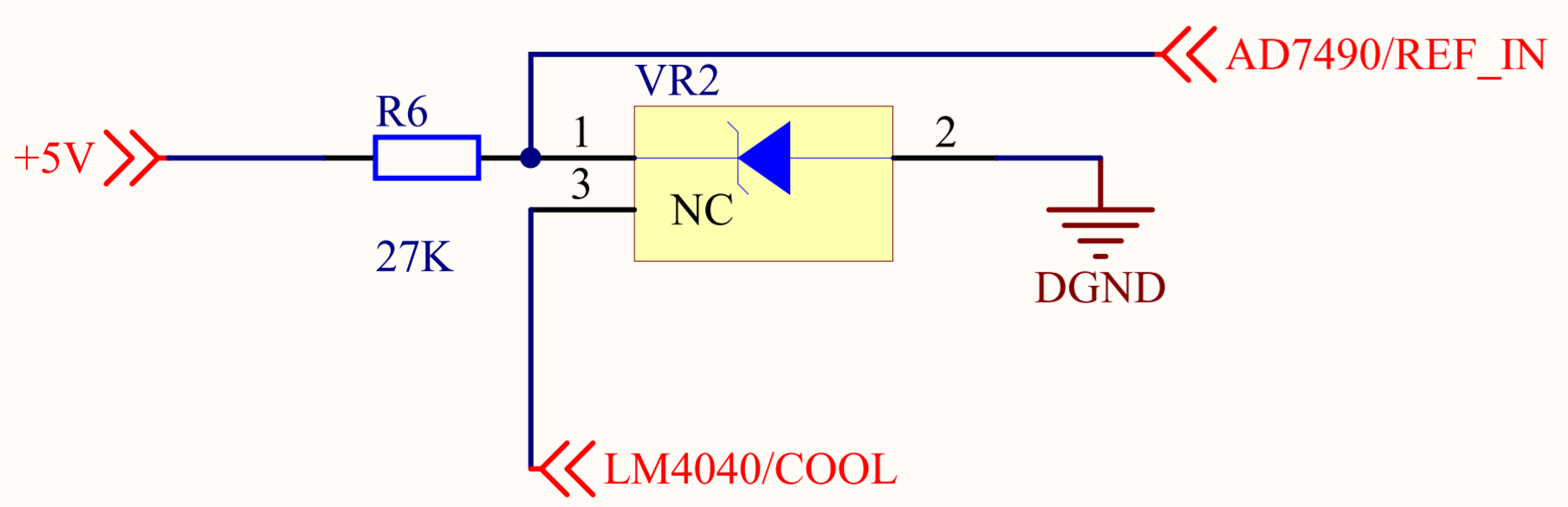
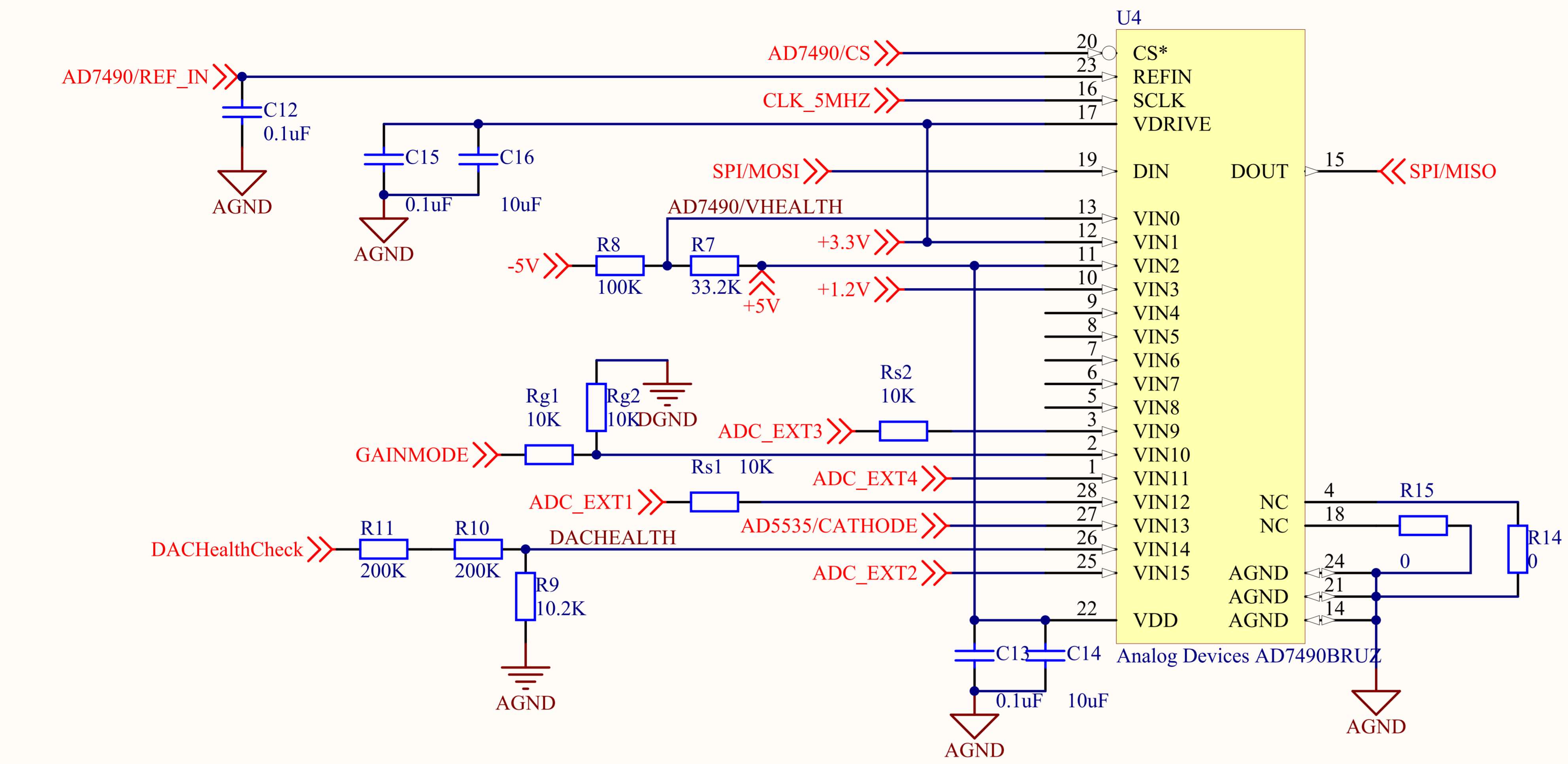


Size: **A** Number: Revision:

Date: 3/9/2015 Time: 4:03:32 PM Sheet 4 of 8

File: C:\Documents and Settings\aeabarnes\My Documents\UConn\Barnes\Final Production\Bias Control Board\EEPROM.SchDoc





Title **TAGM Bias Control ADC**

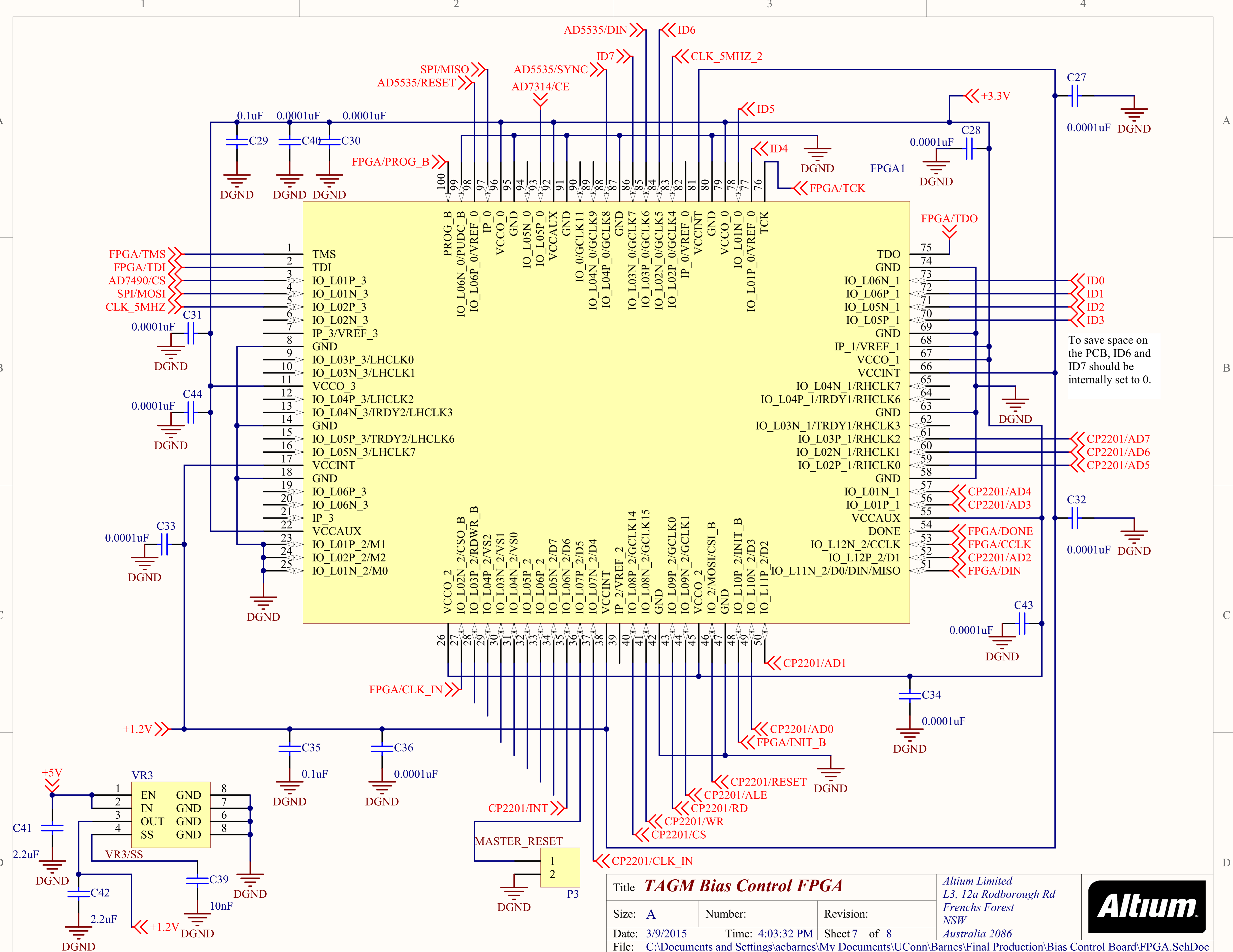
Size: A Number: Revision:

Date: 3/9/2015 Time: 4:03:32 PM Sheet 6 of 8

File: C:\Documents and Settings\aebarne\My Documents\UConn\Barnes\Final Production\Bias Control Board\AD7490.SchDoc

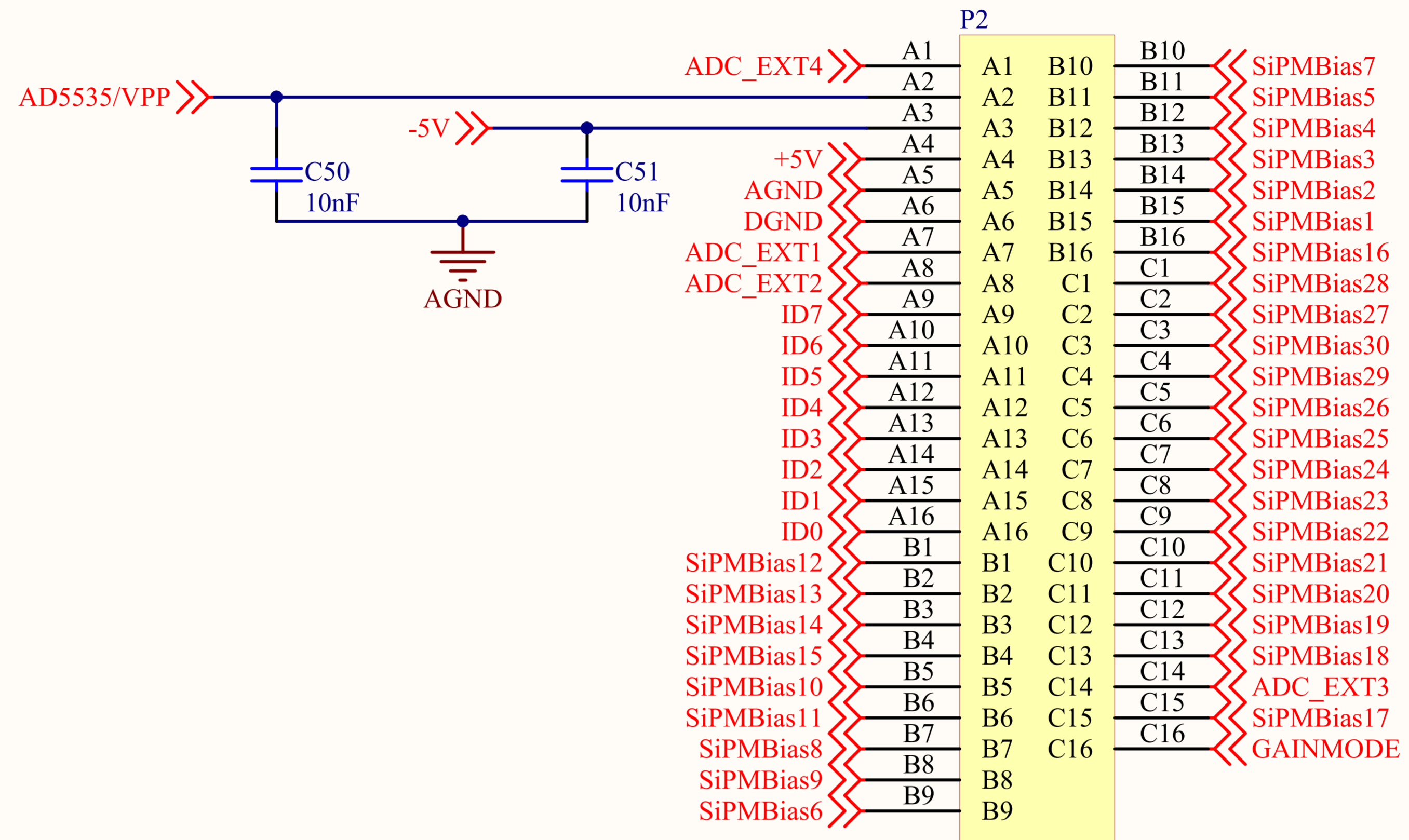
Altium Limited
L3, 12a Rodborough Rd
Frenchs Forest
NSW
Australia 2086

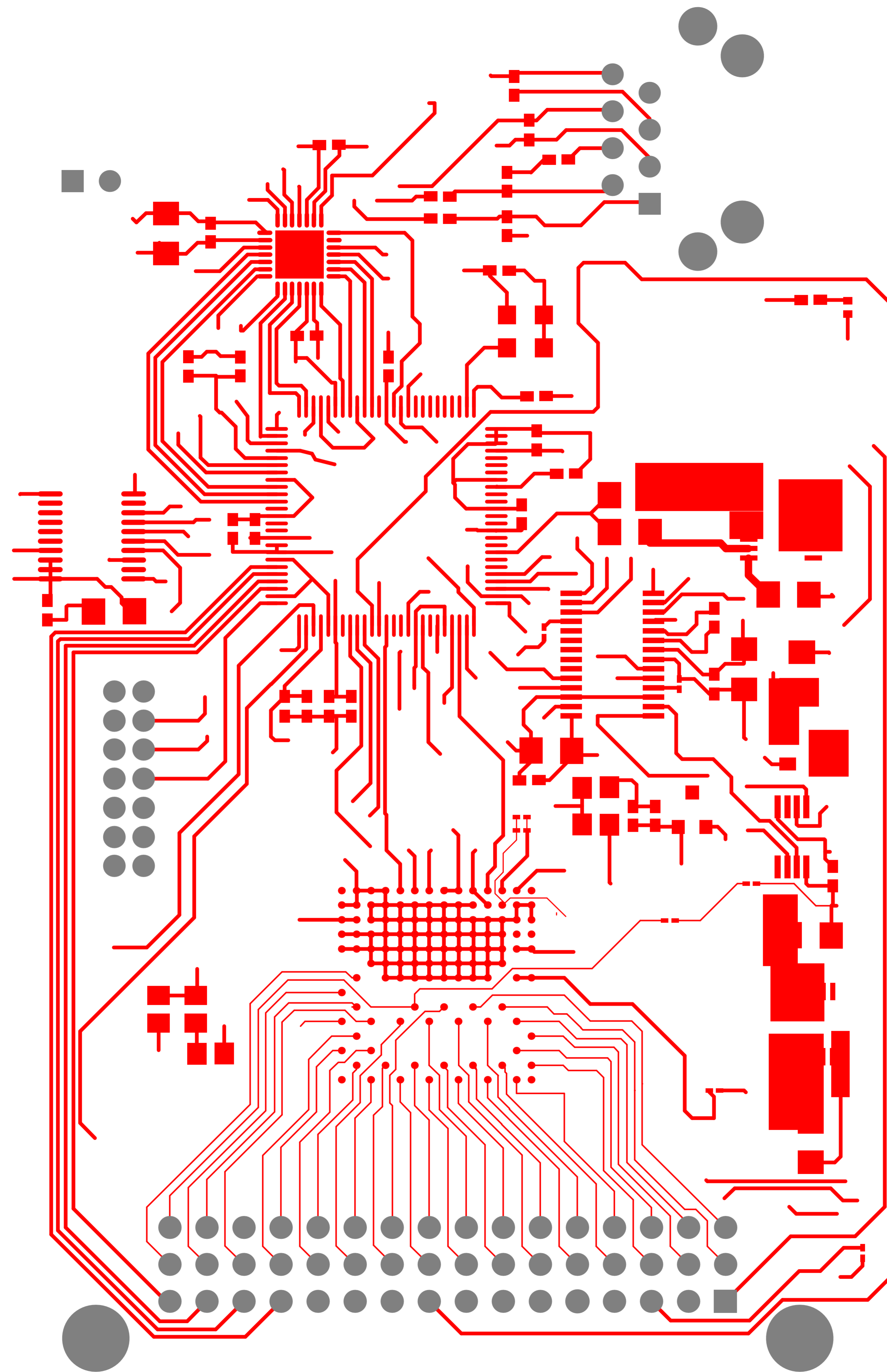


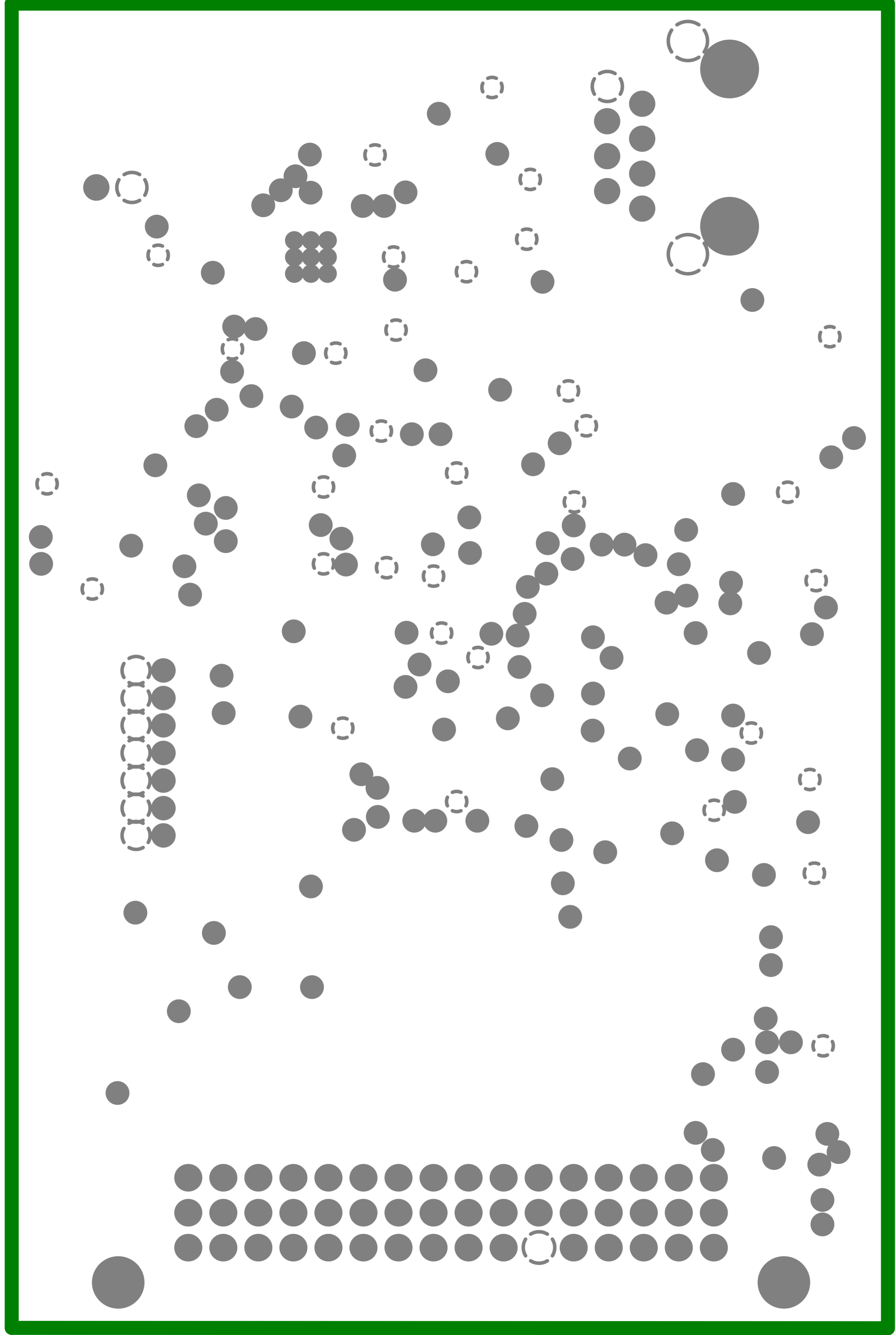


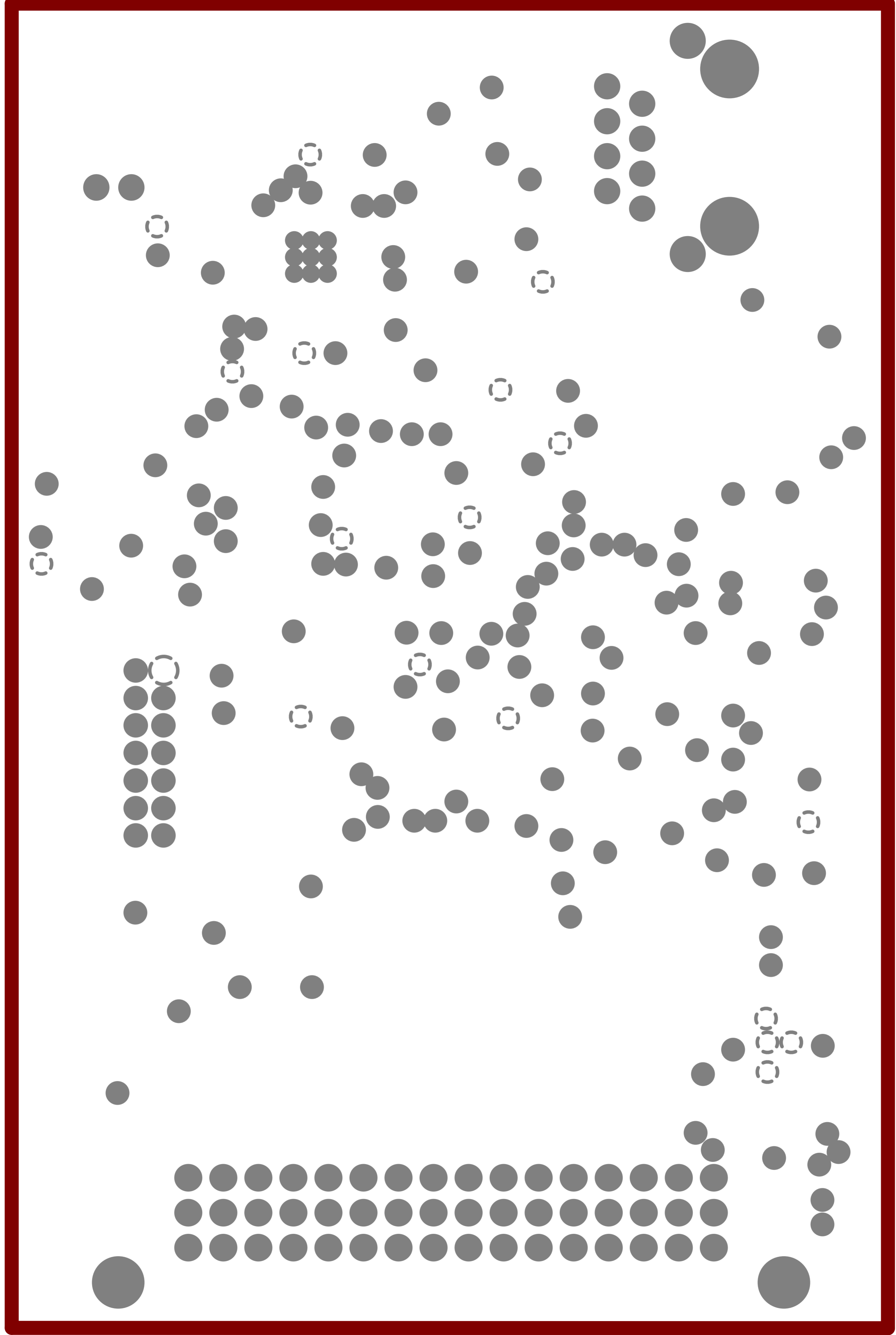
Title TAGM Bias Control FPGA			Altium Limited L3, 12a Rodborough Rd Frenchs Forest NSW Australia 2086
Size: A	Number:	Revision:	
Date: 3/9/2015	Time: 4:03:32 PM	Sheet 7 of 8	
File: C:\Documents and Settings\aeabarnes\My Documents\UConn\Barnes\Final Production\Bias Control Board\FPGA.SchDoc			

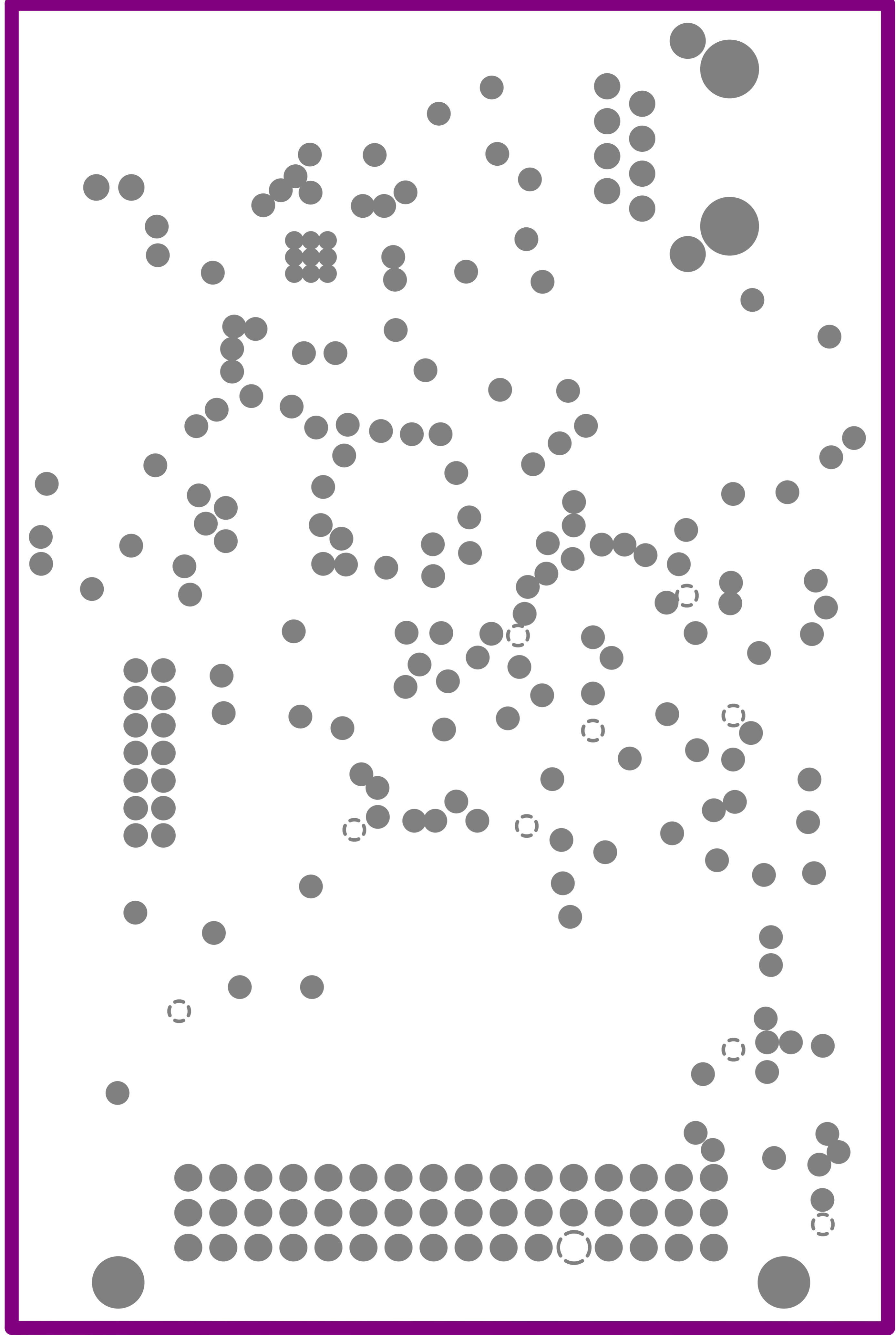


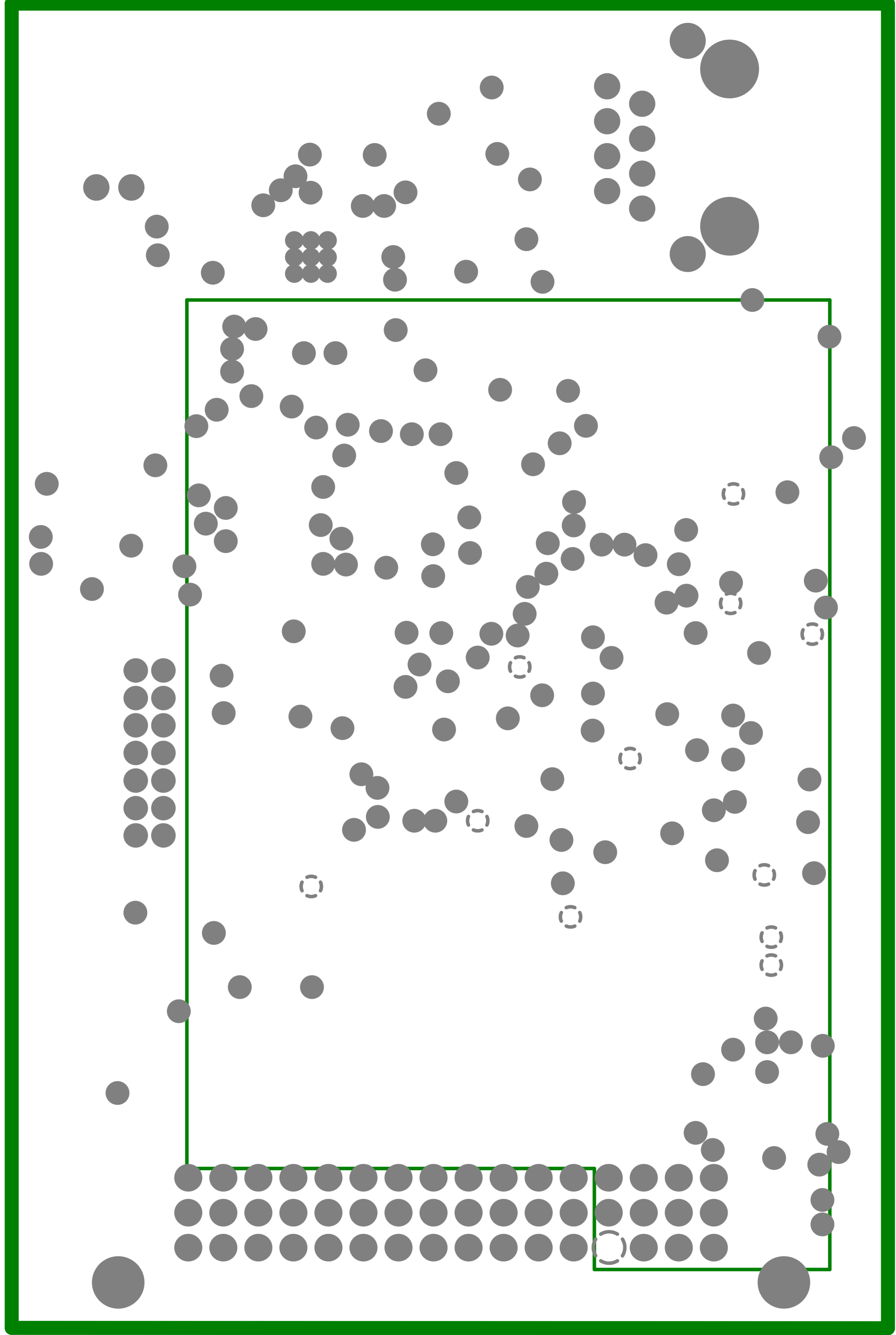


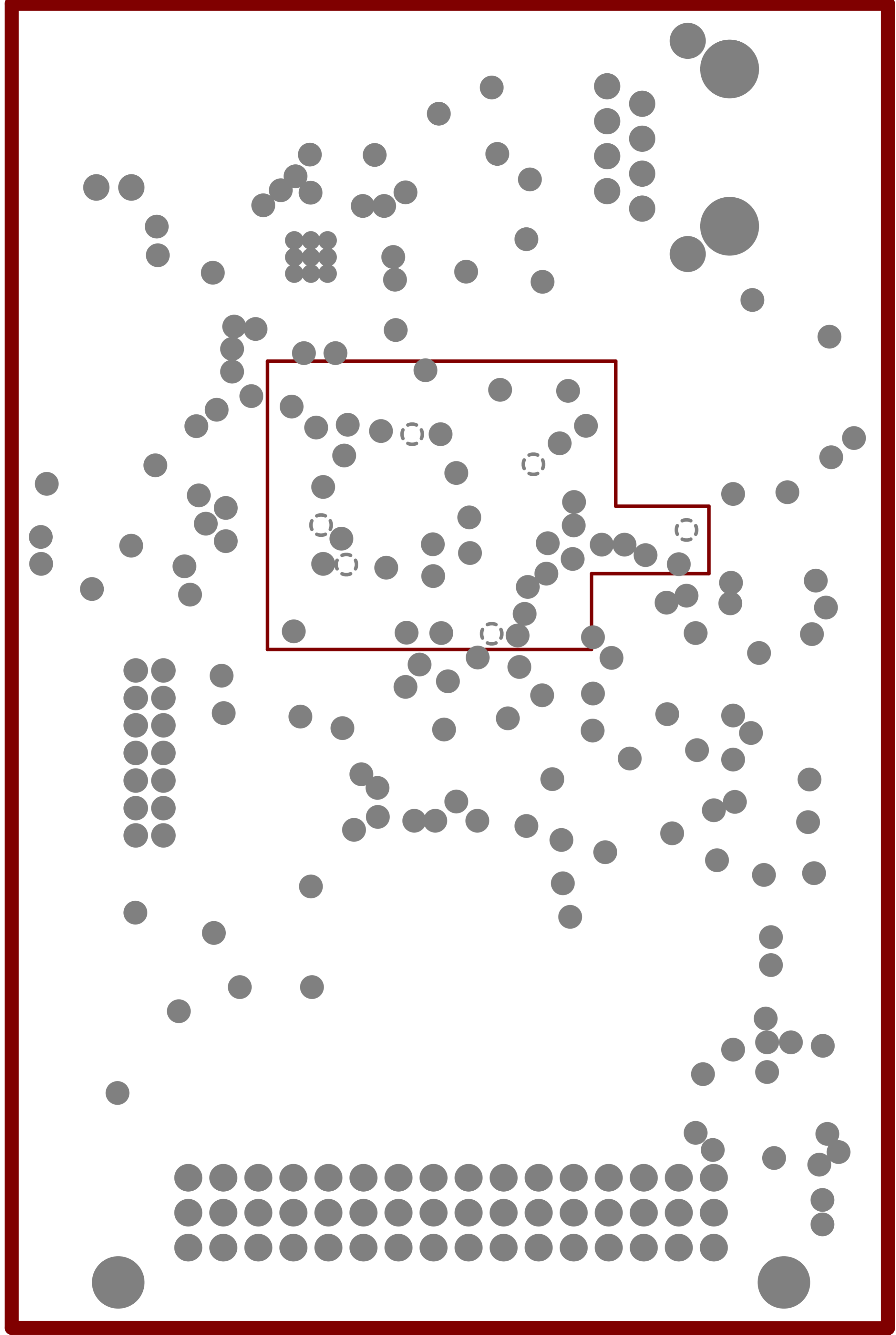


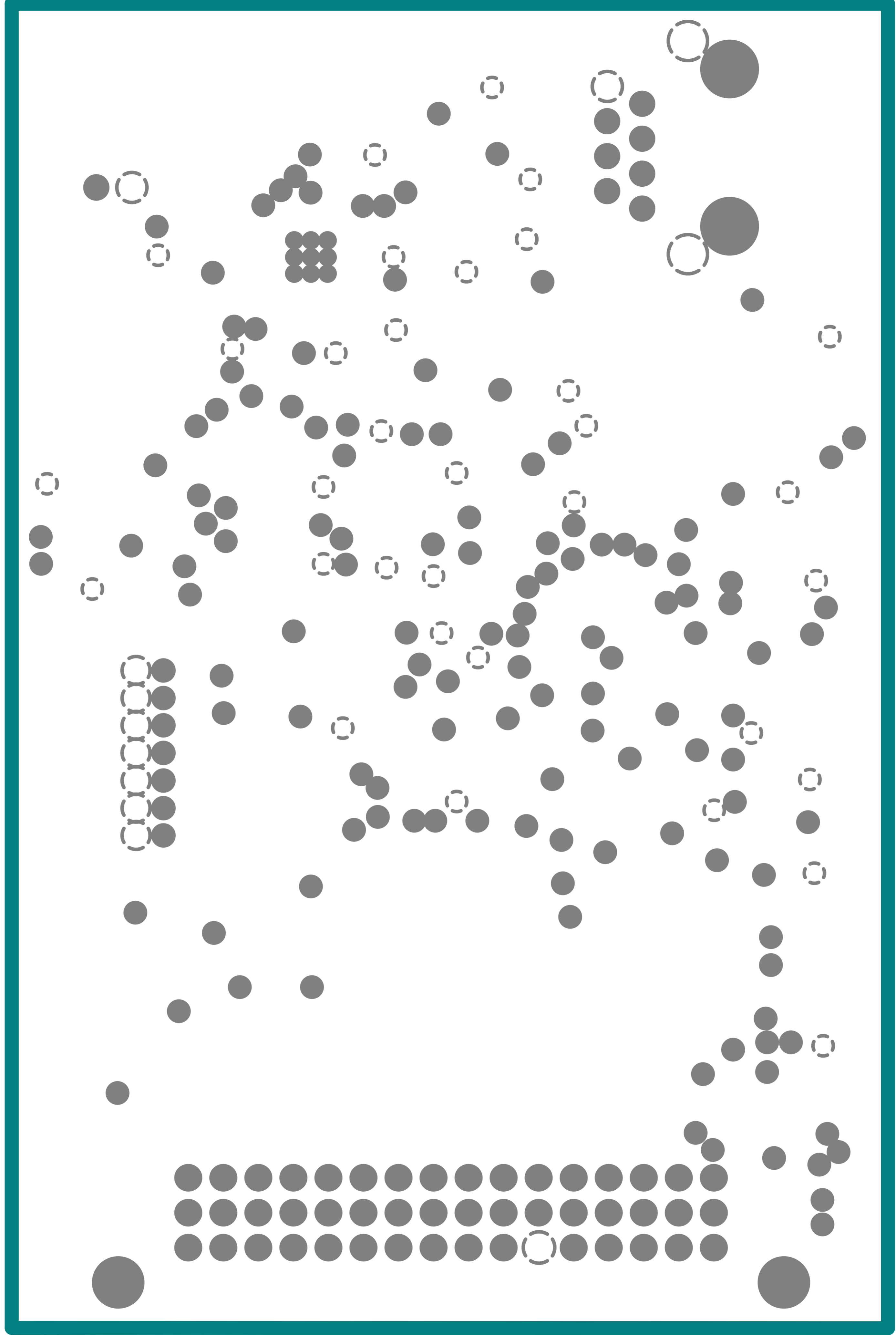


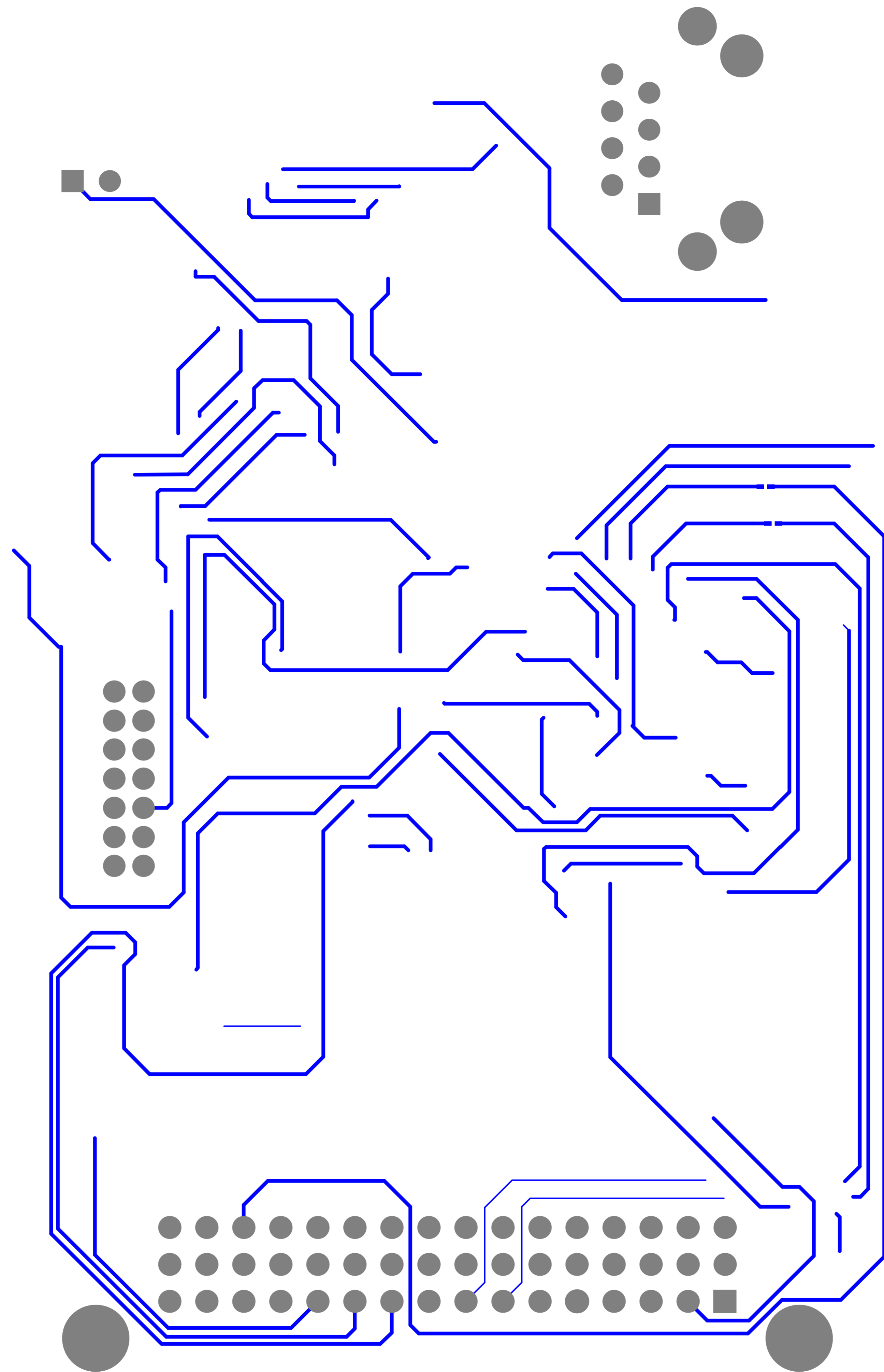












GlueX Tagger Microscope Bias Control
University of Connecticut
Revision: 2/3/2015
AEB / RTJ

